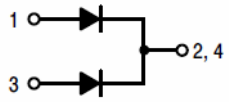
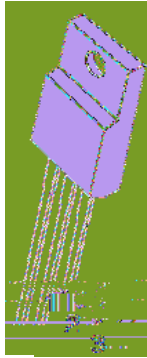
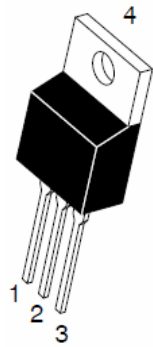
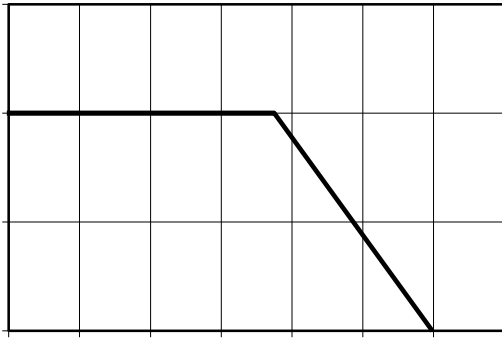


TO-220AB  
TSR 9 & 7

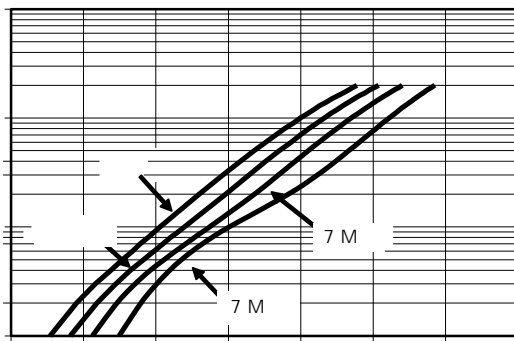


RATINGS AND CHARACTERISTICS CURVES



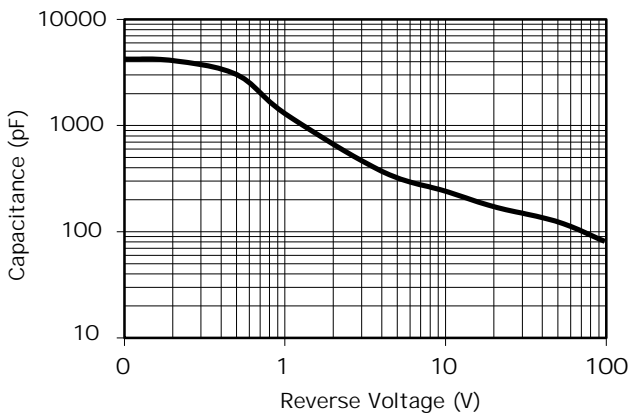
7 F & DVH 7 R & PS

$\mu \text{C} \text{E} \text{E} \text{v} \text{š} \text{E} \text{š} \text{]v} \text{P} \text{U}$

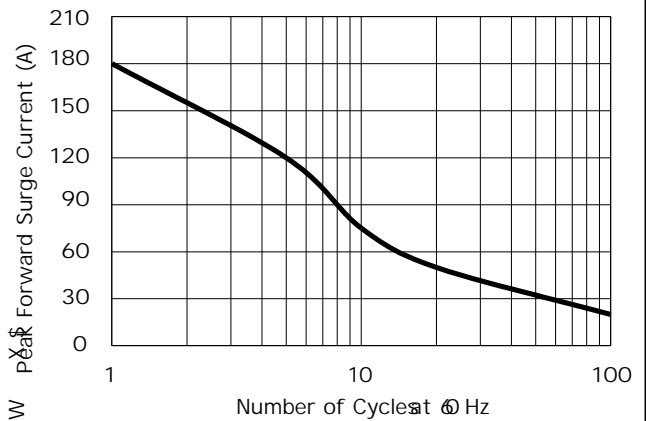


91 , Q V W D Q W D C H R P X W D J R U Z P Q G

$d \text{C} \% ] \text{o} \& \} \text{E} \text{Á} \text{E} \text{s} \} \text{o} \text{š} \text{p} \text{d} \text{C} \% ] \text{o} \text{Z} \text{À} \text{E} \cdot \mu \text{E} \text{E} \text{v}$

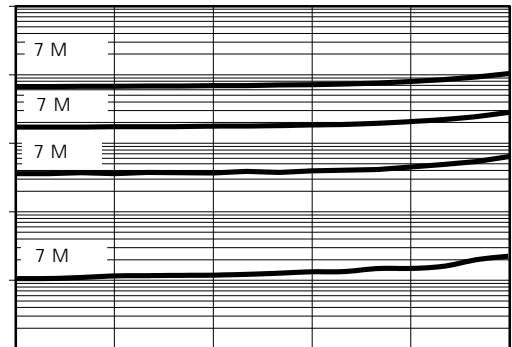


$d \text{C} \% ] \text{o} : \mu \text{v} \text{š} \text{] } \text{v} \% ] \text{š} \text{v}$



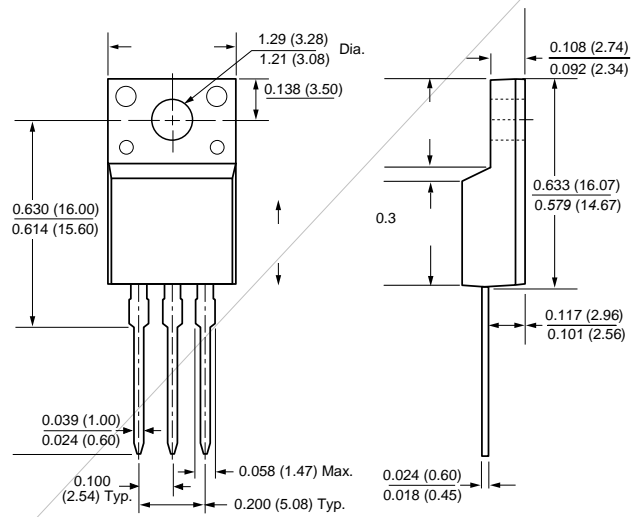
Peak Forward Surge Current (A)

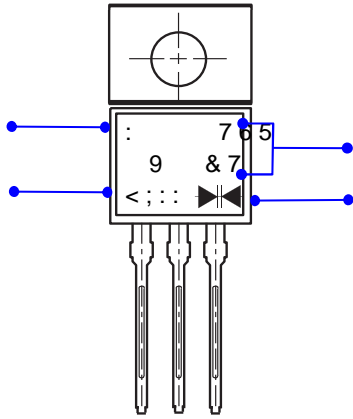
Number of Cycles at 60 Hz



95 5HYHUVH 9ROWDJH 9ROW

# PACKAGE OUTLINE DIMENSIONS



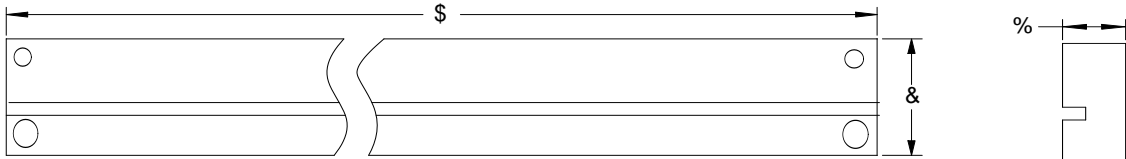


3URGXFW 765G9H O & 7RU 765 (7)  
3' & LQIRU EDWLRQ  
< ; ::

:: :HHN FRGH WR  
; ,QWHUQDO LGRQHWLILFDWLRQ  
< <HDU FRGH H[

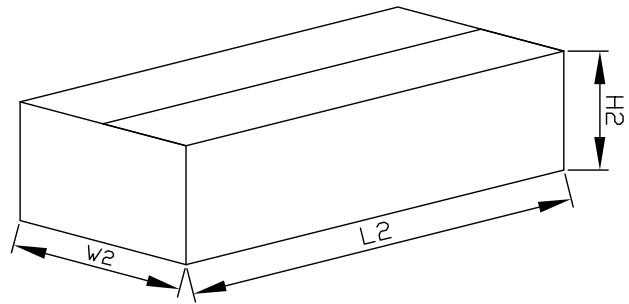
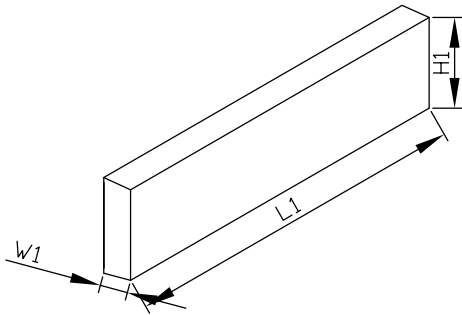


7XEH 'LPHQVLRQV



,QVLGH %R[

2XWVLGH %R[



3DFNDJLQJ ,QIRUPDWLRQ

12	81,	7XEH 'LPHQVLRQV			,QVLGH %R[			2XWVLGH %R[		
6L]H	PP	\$	%	&	/	:	+	/	:	+
47<	3&6	3&6 7XEH			6PDO SHFWDJH3&6 WXEORWDO			3&6 FDUERGLWRWDO		
1RWH	7ROHUDQFH PP" PP			PP" PP			PP" PP			