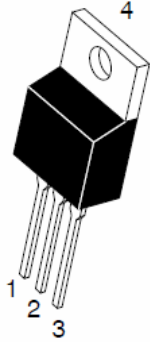
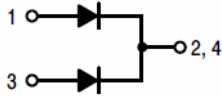


7 UHQFK 026 %DUULHU 6FKRWWN\ 5H

TO-220AB
TSR20 /200 & 7)



ITO-220AB
TSR20 /200 & 7)



Features

- ‡ \$GYDQWUHQFK WHFKQRORJ\
- ‡ /RZRUZDURGDWDJH GURS
- ‡ /RZRZURVVHV
- ‡ +LJHILFLHQF\ RSHUDWLRO
- ‡ /HDGH)HLQLVK &R#6OLDQW

Applications

- ‡ '&' &RQYHUWHUV
- ‡ \$&'&GDSWRUV
- ‡ 6ZLWFKRZHXSSOLHV
- ‡)UHHZKH'HLRGLJ

Maximum ratings and electrical characteristics (T_J = 25°C unless otherwise noted)

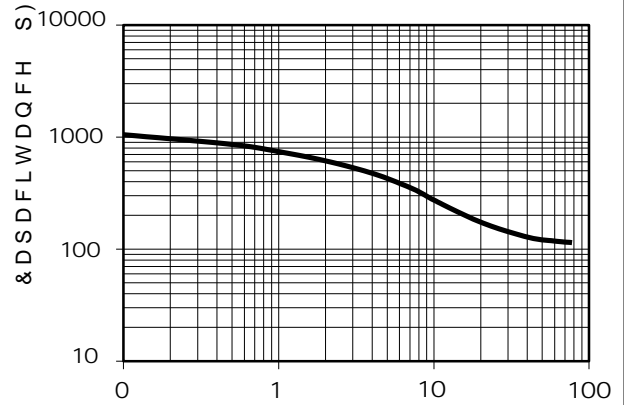
3DUDPHWHU	6\PERO	/LPLW	8QLW
0D[LXPXPHSHVSHUNYHYURQHW DJH	9550		9
0D[LXPXPYHURJHJZDUG UFXJWHHJW	,) \$9		\$
3HDN IRVZDURBUHQW VLKDOHQH ZDYH	,)60		\$
VXSHULPSRVHGRSCGLRWHG			

1RWHV

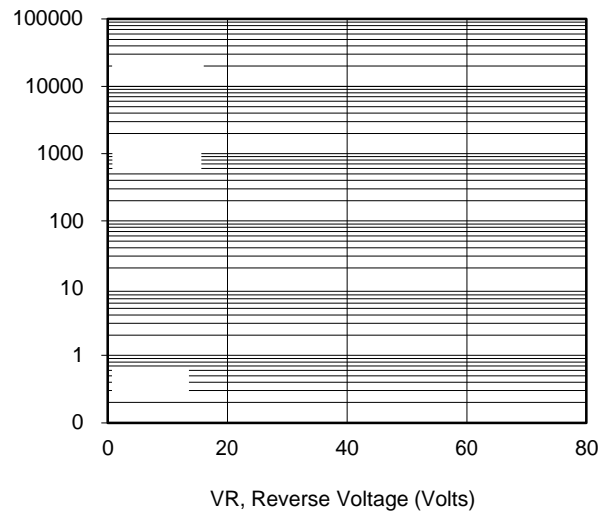
3XOVH WHV V\$XOVH ZLGWK GXW\ F\FOH

3XOVH WHVW 3XOPWH ZLGWK 0

RATINGS AND CHARACTERISTICS CURVES 7\$ f & XQOHVQRWKBUZLVH



Typical Junction Capacitance

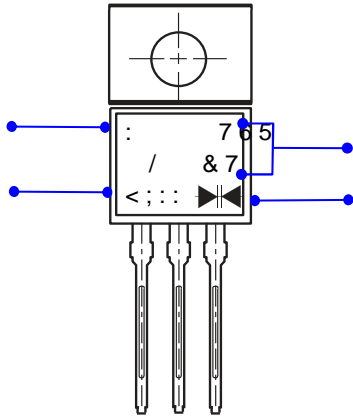


Typical Reverse Current

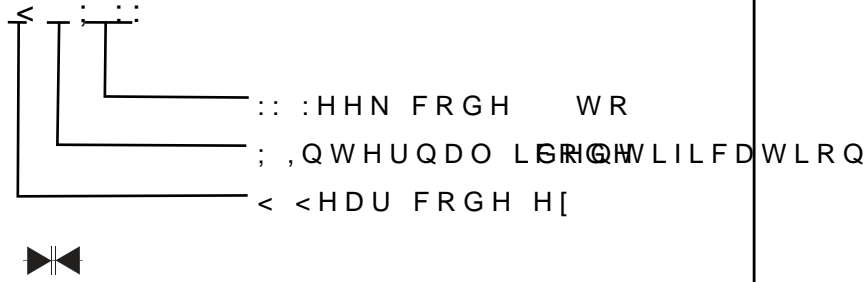
PACKAGE OUTLINE DIMENSIONS

—
—

Marking Information

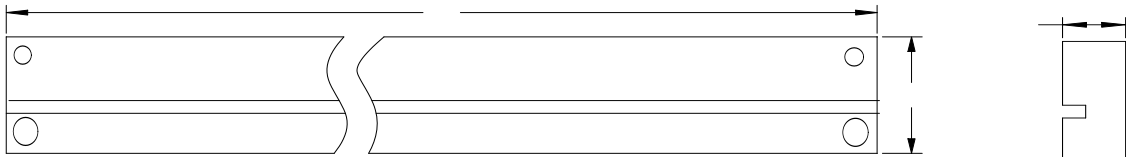


3URGXFW 765GHO&7RU 765 / &7)
 3'& LQIRUPDWLRQ



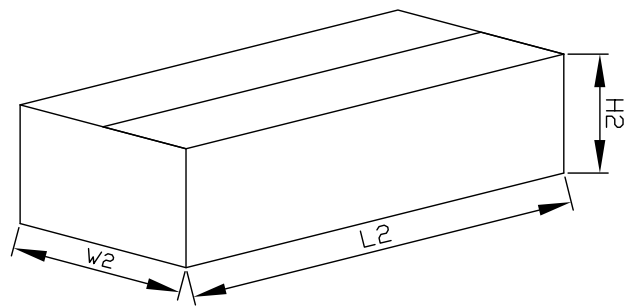
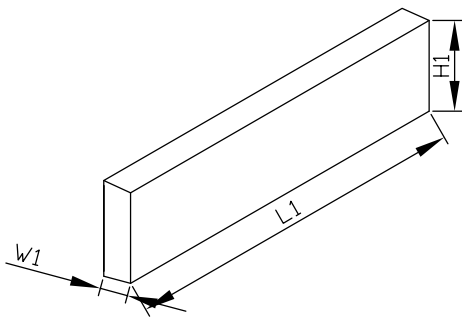
Packaging Information

7XEH 'LPHQVLRQV



,QVLGH %R[

2XWVLGH %R[



Packaging Information

12	81,	7XEH 'LPHQVLRQV			,QVLGH %R[2XWVLGH %R[
6L]H	PP	\$	%	&	/	:	+	/	:	+
47<	3&6	3&6 7XEH			6PDO&7RU 765GHO&7RU 765			3&6 FDUERQWLILFDWLRQ		
1RWH	7ROHUDQFHPP"PP			PP"PP			PP"PP			