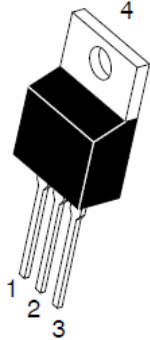


TSR40 / OCT TSR40 /1 CTF

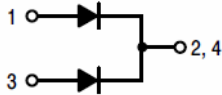
129

7 UHQFK 026 %DUULHU 6FKRWWN\ 5H

TO-220AB
TSR40L1 OCT



ITO-220AB
TSR40L1 OCTF



Features

- ‡ \$GYDQWUHQFK WHFKQRORJ\
- ‡ /RZRZDWRGWDJH GURS
- ‡ /RZRZDWRVHV
- ‡ +LJKILFLHQF\ RSHUDWLRO
- ‡ /HDGH)HLQLVK &R#6OLDQW

Applications

- ‡ '&' & RQYHUWHUV
- ‡ \$&' & \$GDSWRUV
- ‡ 6ZLWFKRZDSSOLHV
- ‡)UHHZKH'HLRQJ

Maximum ratings and electrical characteristics (T_J = 25°C unless otherwise noted)

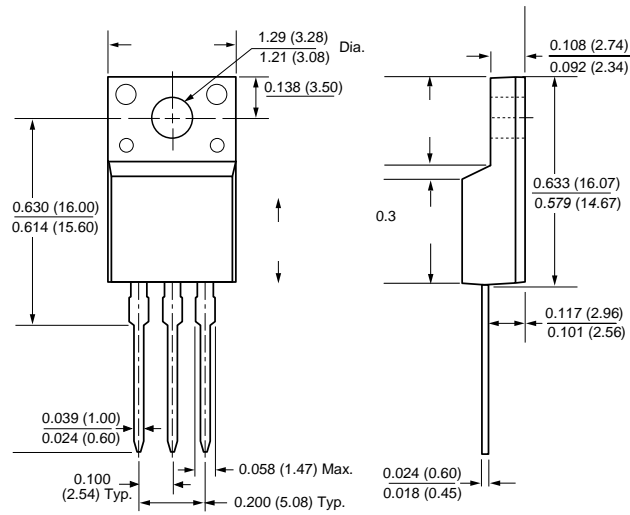
3DUDPHWHU		6\PERO	/LPLW	8QLW
0D[LXPXPHSHVSHUNYHYURQHW DJH		9550		9
0D[LXPXPHUDRJDUG UFXEWHIHWG	GHYLFH SHGLRGH	,) \$9		\$
3HDN IRVZDWRUHQW VLQDQH ZDYH VXSHULPSRVHGRSCUDRCHG		,)60		\$
2SHUDMXQDQWRWRUDJH WHPSHUDW	XUHWRDJH	WR		f&
7\SLFVCHUPDO USHVULVQHDQFH	72 \$% ,72 \$%	5\$-&		f& : f& :
,QVWDQWDQHRRQWRUJZDUG SHGLRGH	,) \$	7- f&	7 < 3	9
	,) \$	7- f&	0\$;	
	,) \$	7- f&		
	,) \$	7- f&		
,QVWDQWDQHRXUUSHQWRDWH UDWHYHYURQHW DJH	7- f&	,5		X\$
	7- f&			P\$

1RWHV

3XOVH WHVVSXOVH ZLGWK GXW\F\FOH

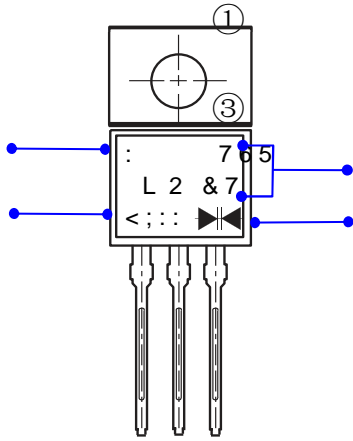
3XOVH WHVW 3XOPH ZLGWK 0

PACKAGE OUTLINE DIMENSIONS

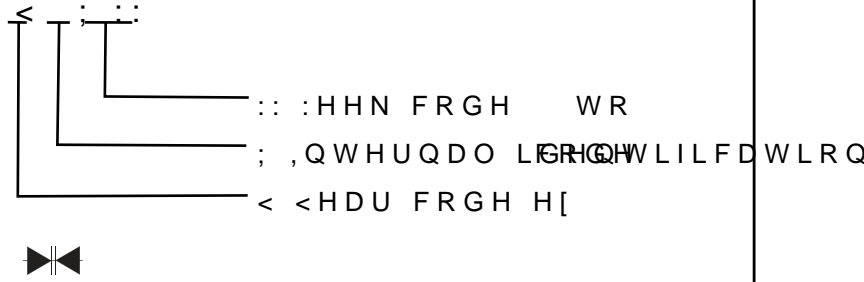


TSR40 / OCT TSR40 /1 CTF

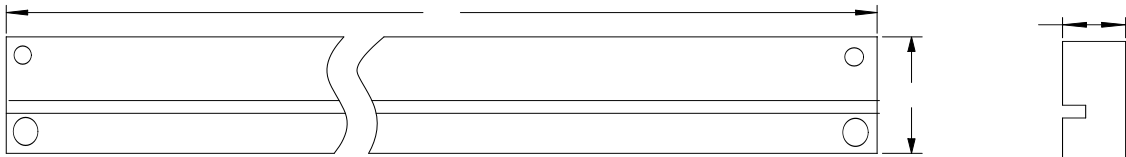
129



3 URG XFW 765 L20V or TSR40L120CTF
3' & LQIRUPDWLRQ

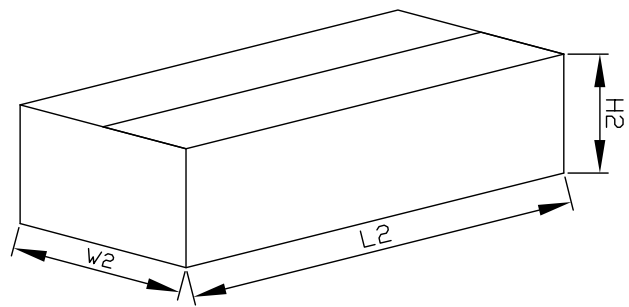
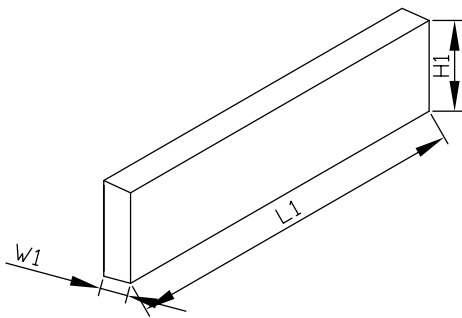


7XEH 'LPHQVLRQV



,QVLGH %R[

2XWVLGH %R[



12	81,	7XEH 'LPHQVLRQV			,QVLGH %R[2XWVLGH %R[
6L]H	PP	\$	%	&	/	:	+	/	:	+
47<	3&6	3&6 7XEH			6PDO SHVWDJH3&6 WXEVRWDO			3&6 FDUVRWDO		
1RWH		7ROHUDQFH PP" PP			PP" PP			PP" PP		