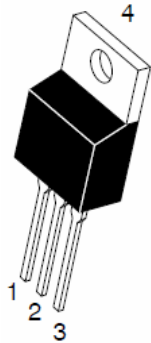
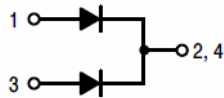


7UHQFK 026 %DUULHU 6FKRWWN\ 5H

TO-220AB
 TSR20A100 & 7



ITO-220AB
 TSR20A100 & 7)



Features

- ‡ \$GYDQWUHQFK WHFKQRORJ\
- ‡ /RZRZURDWDJH GURS
- ‡ /RZRZURVHV
- ‡ +LJKILFLHQF\ RSHUDWLRO
- ‡ /HDGHHLQLVK &RPSOLDQW

Applications

- ‡ '&' & RQYHUWHUV
- ‡ \$&' & GDSWRUV
- ‡ 6ZLWFKRZHXSSOLHV
- ‡)UHHZKHHLRQJ

Maximum ratings and electrical characteristics (T_J = 25°C unless otherwise noted)

3DUDPHWHU		6\PERO	/LPLW	8QLW
0D[LPXPHSHVSHUNYHYURQHW DJH		9550		9
0D[LPXPHUDRJDZDUG UFXEWHIHWG	GHYLFH SHGLRGH	,) \$9		\$
3HDN IRVZDUEBUHQW VLKDDHQH ZDYH VXSHULPSRVHGRFSGUDRCHG		,)60	8	\$
2SHUDMXQDQGRQWRUDJH WHPSHUDW		XUH 0DQJH	WR	f &
7\SLFVCHUPDO USHVULVQHDQFH	72 \$% ,72 \$%	5\$-&		f & : f & :
,QVWDQWDQHRROWRDUG SHGLRGH	,) \$	7- f &	7 < 3	9
	,) \$	7- f &	0\$;	
	,) \$	7- f &		
	,) \$	7- f &		
,QVWDQWDQHRXUUSHQWRCWH UDWHYHYURQHW DJH	7- f &	,5		X\$
	7- f &			P\$

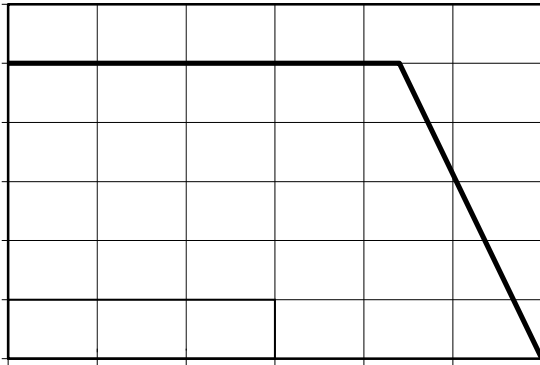
1RWHV

3XOVH WHVVSXOVH ZLGWK GXW\F\FOH

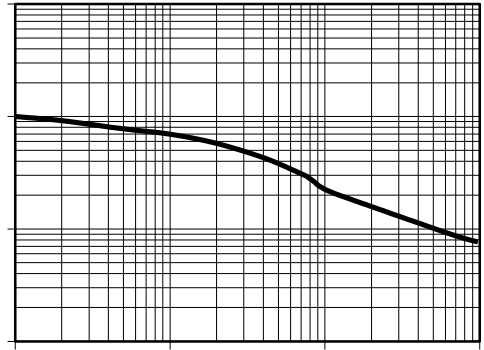
3XOVH WHVW 3XOPVH ZLGWK 0

, I \$YHUDDJH)RUZDUG & XUUHQW

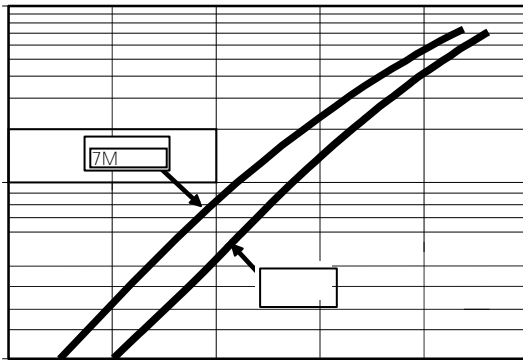
RATINGS AND CHARACTERISTICS CURVES 7\$ f & XQOHVQRWKBUZLVH



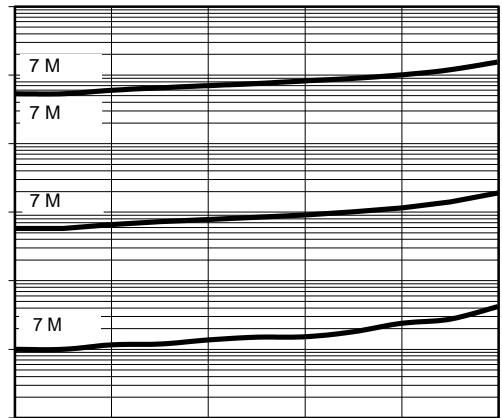
7F & DVH 7&1PS



, U 5HYHUVH & XUUHQW X\$



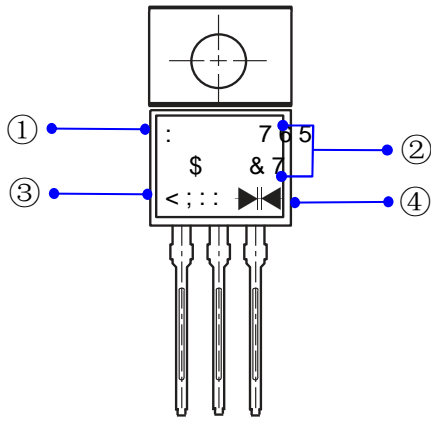
91 , QVWDQWDQ HFRXOW)DRJHZ DRJG



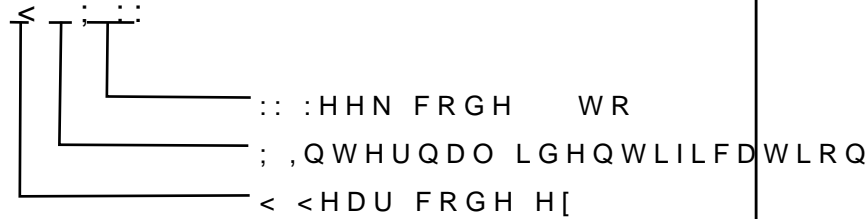
95 5HYHUVH 9ROWDJH 9ROWV

PACKAGE OUTLINE DIMENSIONS



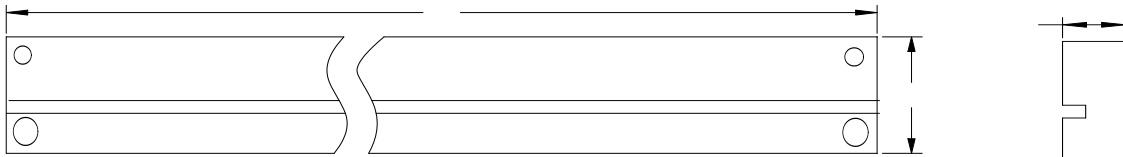


- ①: &RPSDQ\ V WUDGHPDUN
- ② 3URGXFW 765GH\$O &7 RU 765 &\$)
- ③ 3'& LQIRUPDWLRQ



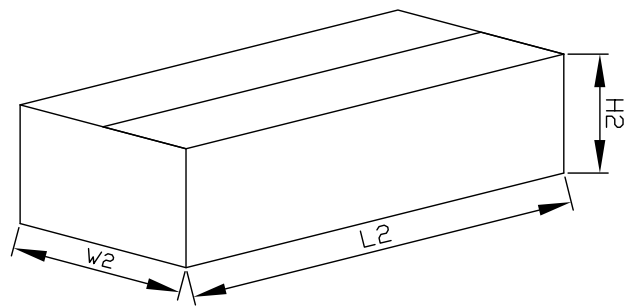
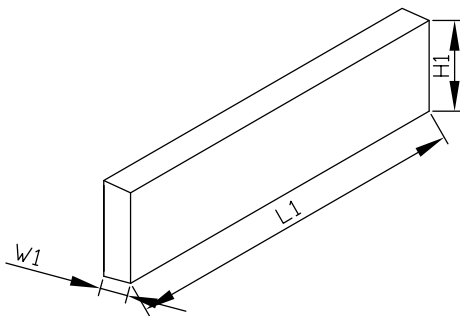
- ④ >>'RXEOH ZDIHU

7XEH 'LPHQVLRQV



,QVLGH %R[

2XWVLGH %R[



12	81,	7XEH 'LPHQVLRQV			,QVLGH %R[2XWVLGH %R[
		\$	%	&	/	:	+	/	:	+
6L]H	PP									
47<	3&6	3&6 7XEH			6PDOO SHVWDJH WXEORWDO			3&6 3&6 FDUWRQV		
1RWH		7ROHUDQFH PP" PP			PP" PP			PP" PP		