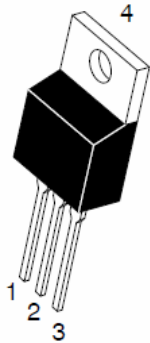


TSR / CT TSR / CTF

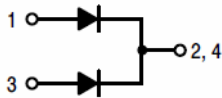
129

7UHQFK 026 %DUULHU 6FKRWWN\ 5H

TO-220AB
TSR30L1 OCT



ITO-220AB
TSR30L1 OCTF



Features

- ‡ \$GYDQWUHQFK WHFKQRORJ\
- ‡ /RZRZURGRWDJH GURS
- ‡ /RZRZURGRVHV
- ‡ +LJKILFLHQF\ RSHUDWLRO
- ‡ /HDGH)HLQLVK &R#6OLDQW

Applications

- ‡ '&' & RQYHUWHUV
- ‡ \$&' & GDSWRUV
- ‡ 6ZLWFKRZHXSSOLHV
- ‡)UHHZKH)HLGRQJ

Maximum ratings and electrical characteristics (TJ = 25°C unless otherwise noted)

3DUDPHWHU		6\PERO	/LPLW	8QLW		
0D[LPXPHSHVSHUNYHYURQHW DJH		9550		9		
0D[LPXPHYUDRJRZDUG UFXEWHIHWG	GHYLFH SHGLRGH	,) \$9		\$		
3HDN IRVZDUEBUUHQW VLKDOHQH ZDYH VXSHULPSRVHGRFSGUDRVGHG		,)60		\$		
2SHUDMXQEDVLRQWRUDJH WHPSHUDW	XUH 0DQJH	WR		f &		
7\SLFVQKUPDO USHVULVQHDQFH	72 \$% ,72 \$%	5\$-&		f & : f & :		
,QVWDQWDQHRROWRDUZDUG SHGLRGH		9)	7 < 3	0\$;		
	,) 3\$		7-	f &		
	,) 3\$		7-	f &		
	,) \$		7-	f &		
	,) \$		7-	f &		
,QVWDQWDQHRXUUSHQWRDWH UDWHYHYURQHW DJH	7-	f &	,5	1	7	X\$
	7-	f &		10		P\$

1RWHV

3XOVH WHVWSXOVH ZLGWK GXW\F\FOH

3XOVH WHVW 3XOVH ZLGWK 0 PV

TSR / 0 CT

TSR / 0 CTF

1 2 9 8

RATINGS AND CHARACTERISTICS CURVES (TA = 25 °C unless otherwise noted)

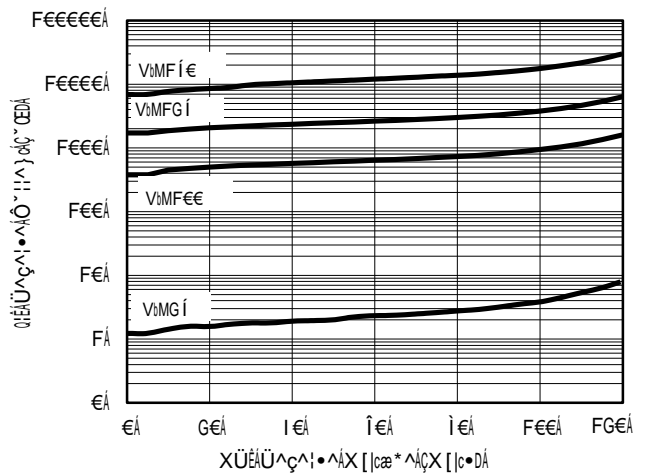
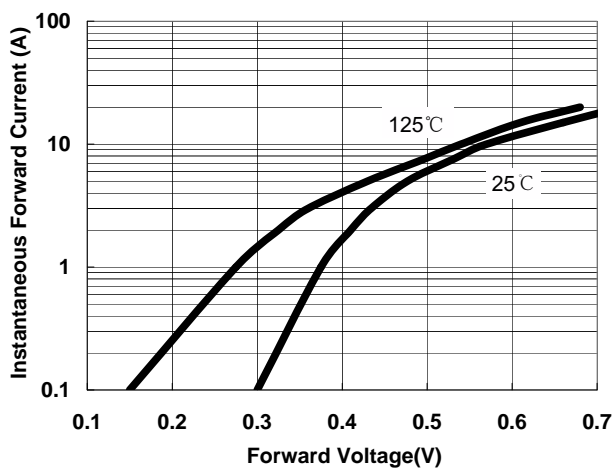
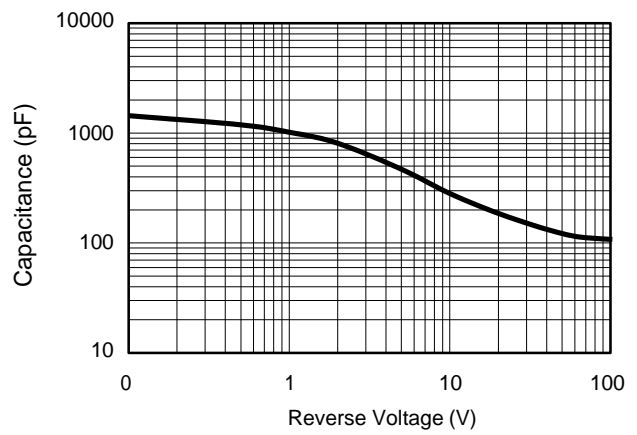
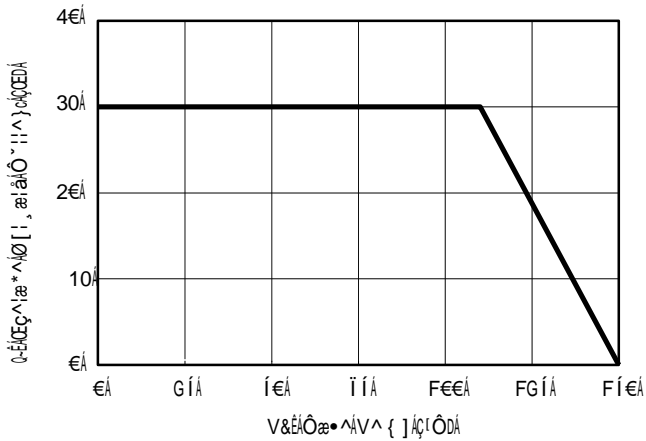
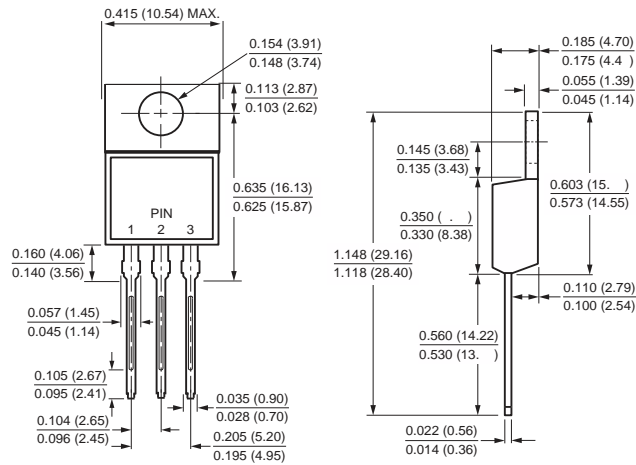


Figure 3: Forward Current Derating Curve

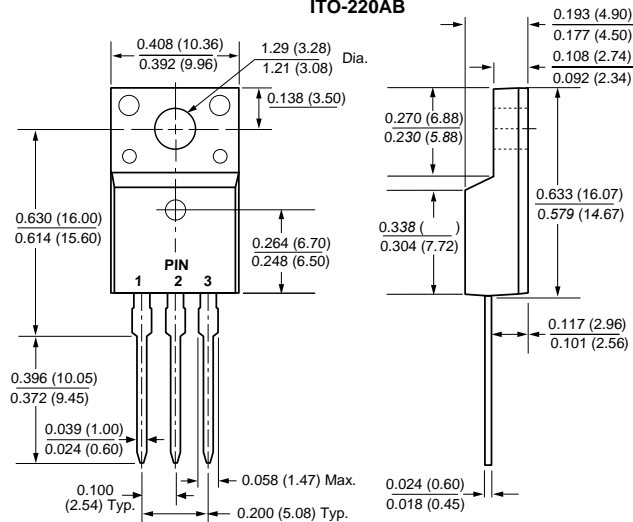
PACKAGE OUTLINE DIMENSIONS

Note:unit In(mm)

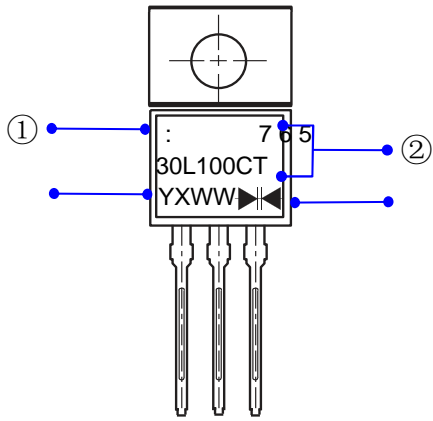
TO-220AB



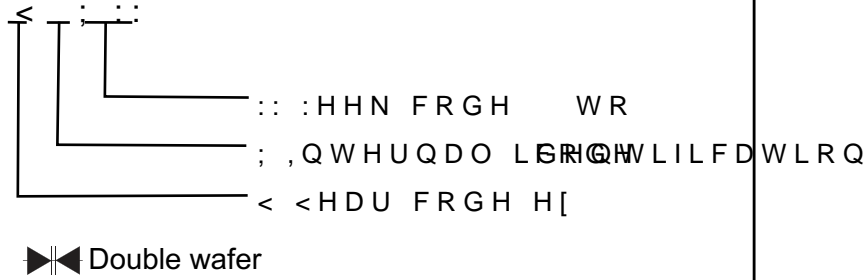
ITO-220AB



Marking Information

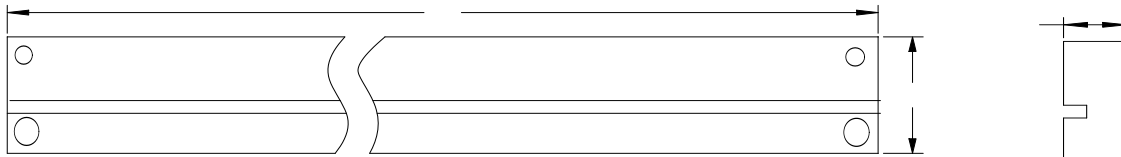


- ① W : Company's trademark
- ② 3 U R G X F W T B R 3 0 L 1 0 0 C T or TSR30L100CTF
- ③ 3 ' & L Q I R U P D W L R Q



Packaging Information

7 X E H ' L P H Q V L R Q V



, Q V L G H % R [

2 X W V L G H % R [

Packaging Information

1 2	8 1 ,	7 X E H ' L P H Q V L R			, Q V L G H [2 X W V L G H % R [
6 L] H	P P	\$	%	&	/	:	+	/	:	+
		5	7	33	570	46	150	59	26	18
4 7 <	3 & 6	3 & 6 7 X E H			6 P D O C S D F W D J H 3 & 6 2 W X E G W R W D O			3 & 6 F D U E R G L W R W D O		
1 R W H		7 R O H U D Q F P P " P P			P P " P P			P P " P P		