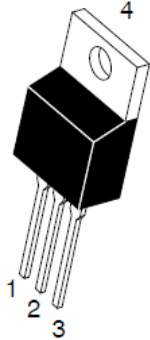
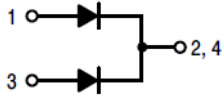


7 UHQFK 026 %DUULHULB BKRWVN\ 5H

TO-220AB
TSR20S100CT



ITO-220AB
TSR20S100CTF



Features

- ‡ \$GYDQWUHQFK WHFKQRORJ\
- ‡ /RZRUZDWRGWDJH GURS
- ‡ /RZRZDWRVVHV
- ‡ +LJKILFLHQF\ RSHUDWLRQ
- ‡ /HDGH)HLQLVK &R#6OLDQW

Applications

- ‡ '&' & RQYHUWHUV
- ‡ \$&' & GDSWRUV
- ‡ 6ZLWFKRZDIXSSOLHV
- ‡)UHHZKH'HLRGLQJ

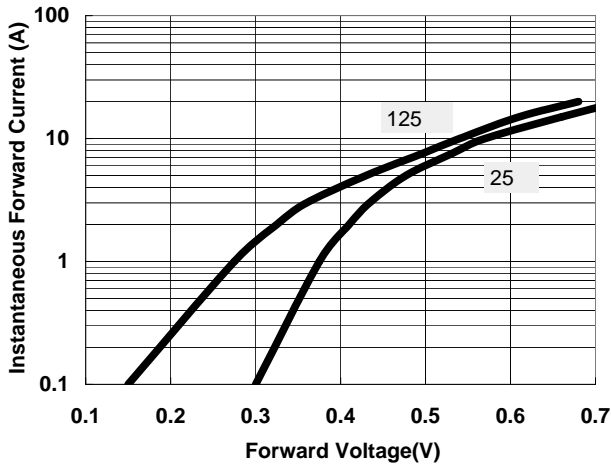
Maximum ratings and electrical characteristics (T_J = 25°C unless otherwise noted)

3DUDPHWHU		6\PERO	/LPLW	8QLW
0D[LPXPHSHVSHUNYHYURQHW DJH		9550		9
0D[LPXPHUDRUDJZDUG UFXEWHIHWG	GHYLFH SHGLRGH	,) \$9		\$
3HDN IRVZDUEBUUHQW VLQDQH ZDYH VXSHULPSRVHGRFSGUDRWGHG		,) 60		\$
2SHUDMXQDQGRQWRUDJH WHPSHUDW	XOH 06DJH 0WR			
7\SLFWDKCHUPDO USHVULVQHWQFH	72 \$% ,72 \$%	5\$-&		f& : f& :
,QVWDQWDQHRRQWRUDJZDUG SHGLRGH	,) \$	7- f&	7 < 3	9
	,) \$		0\$;	
	,) \$			
	,) \$	7- f&		
,QVWDQWDQHRXUUSHQWRUDJ UDWHYHYURQHW DJH	7- f&	,5		
1RWHV				
3XOVH WHVVSXOVH ZLGWK GXW\F\FOH				
3XOVH WHVW 3XOPWH ZLGWK 0				

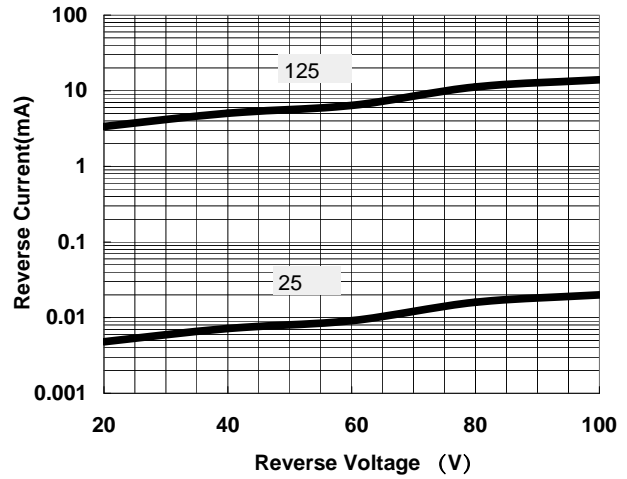
RATINGS AND CHARACTERISTICS CURVES

7\$

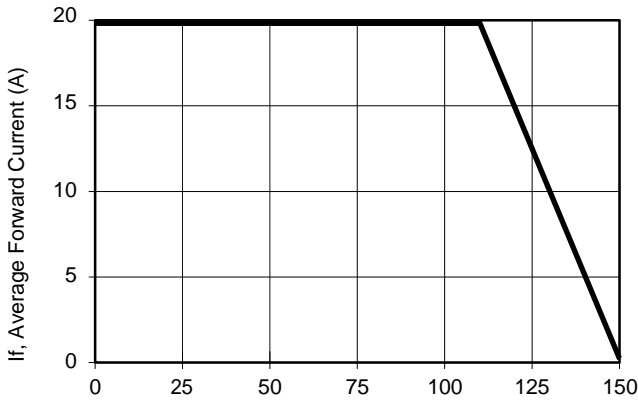
f & XQOHVQRWKBUZLVH



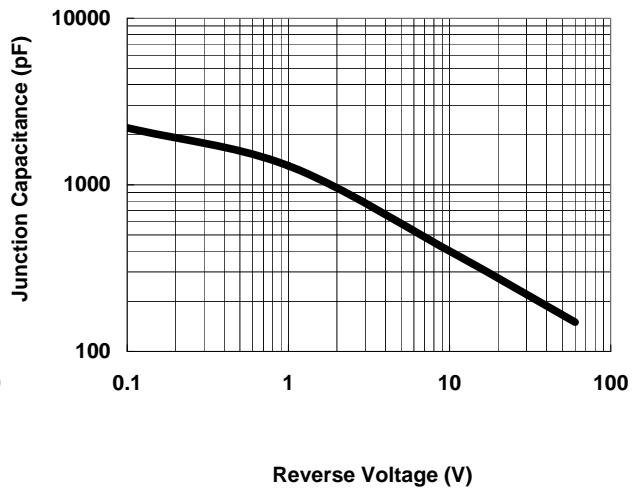
Forward Current Derating Curve



Typical Junction Capacitance Per Diode

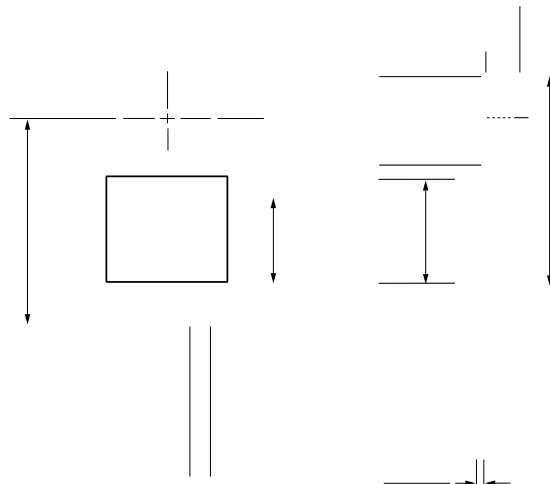


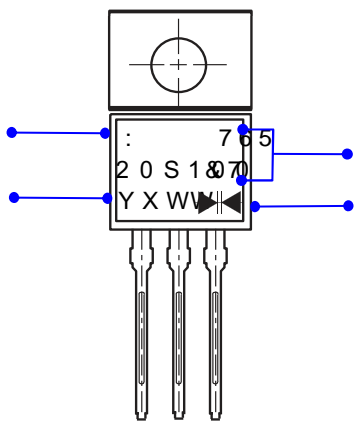
Current Derating, Case



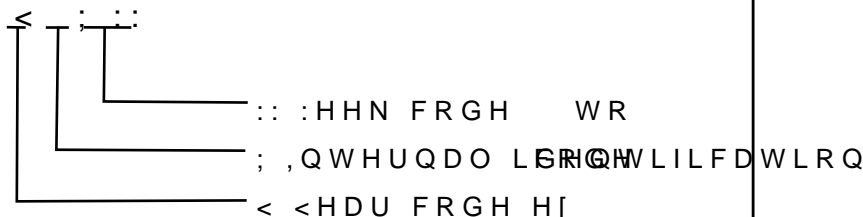
Reverse Voltage (V)

PACKAGE OUTLINE DIMENSIONS



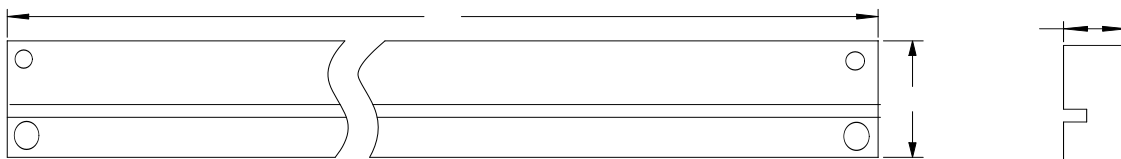


W : Company's trademark
3URGXFW TSPRGS 00T0 or TSR 2TFS 100
3' & LQIRUPDWLRQ



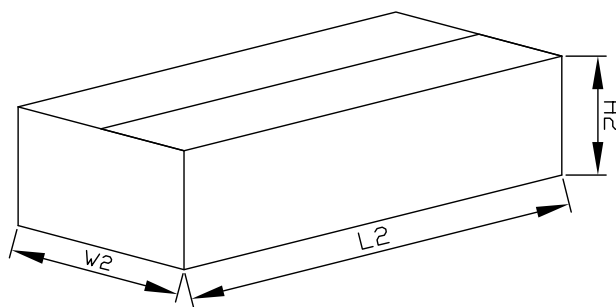
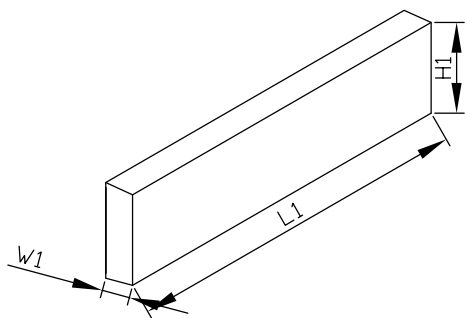
Double wafer

7XEH 'LPHQVLRQV



,QVLGH %R[

2XWVLGH %R[



12	81,	7XEH 'LPHQVLRQV			,QVLGH %R[2XWVLGH %R		
6 LH	PP	\$	%	&	/	:	+	/	:	+
		5	7	33	570	46	150	59	26	18
47<	3&6	3&6 7XEH			6PDO SHVWDJH3&6 2 WXEDWRWDO			3&6 FDUERGLWRWDO		
1RWH		7ROHUDQFPP"PP			PP"PP			PP"PP		