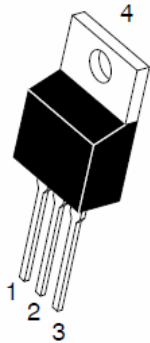
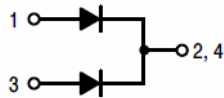


7 UHQFK 026 %DUULHU 6FKRWWN\ 5H

TO-220AB
TSR10L200CT



ITO-220AB
TSR10L200CTF



Features

- ‡ \$GYDQWUHQFK WHFKQRORJ\
- ‡ /RZRZURGRWDJH GURS
- ‡ /RZRZURGRVHV
- ‡ +LJKILFLHQF\ RSHUDWLRO
- ‡ /HDGH)HLQLVK &R#6OLDQW

Applications

- ‡ '&' & RQYHUWHUV
- ‡ \$&'&GDSWRUV
- ‡ 6ZLWFKRZHXSSOLHV
- ‡)UHHZKH'HLRGRJ

Maximum ratings and electrical characteristics (T_J = 25°C unless otherwise noted)

3DUDPHWHU		6\PERO	/LPLW	8QLW
0D[LPXPHSHVSHUNYHYURQHW DJH		9550		9
0D[LPXPHYUDRJRZDUG UFXEWHIHWG	GHYLFH SHGLRGH	,) \$9		\$
3HDN IRVZDUEBUUHQW VLQDQH ZDYH VXSHULPSRVHGRFSGUDRCHG		,)60		\$
2SHUDMXQDQGRQWRUDJH WHPSHUDW	XUHURDJH	WR		f&
7\SLFVCHUPDO USHVULVQHDQFH	72 \$% ,72 \$%	5\$-&		f& : f& :
,QVWDQWDQHRROWRUJZDUG SHGLRGH	,) \$	7- f&	7<3	0\$;
	,) \$	7- f&		
	,) \$	7- f&		
	,) \$	7- f&		
,QVWDQWDQHRXUUSHOMRQWH UDWHYHYURQHW DJH	7- f&	,5		X\$
	7- f&			P\$

1RWHV

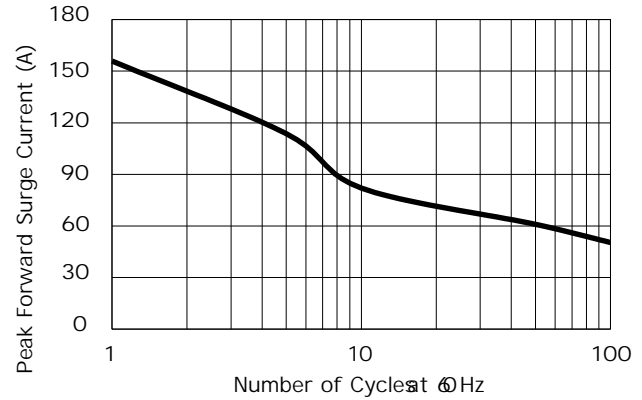
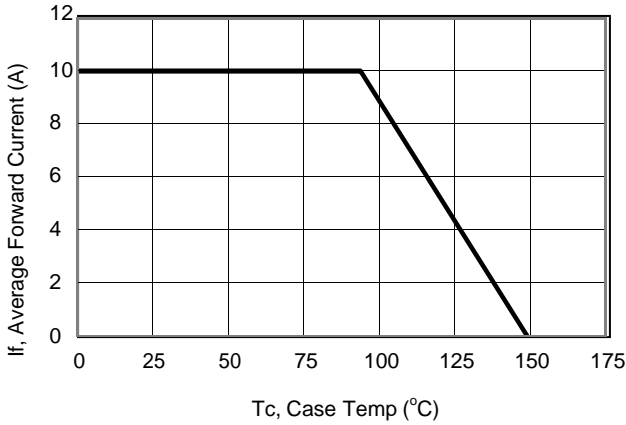
3XOVH WHVVSXOVH ZLGWK GXW\F\FOH

3XOVH WHVW 3XOPVH ZLGWK 0

RATINGS AND CHARACTERISTICS CURVES

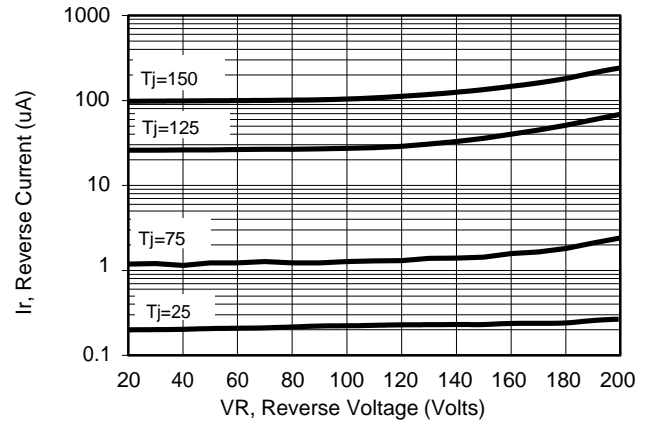
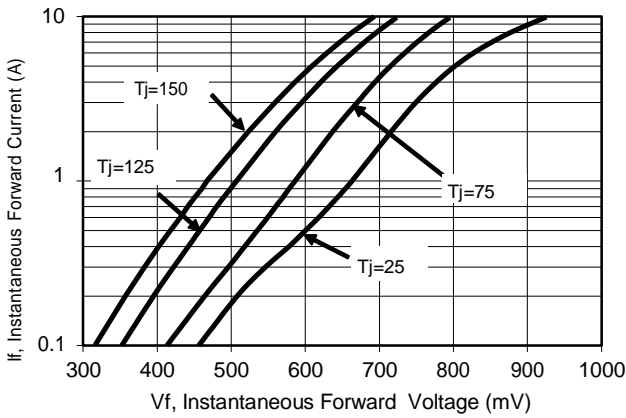
7\$

f & X Q O H V Q R W K B U Z L V H



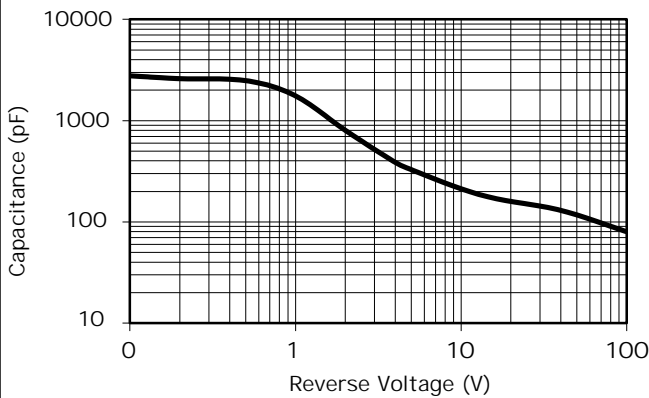
Current Derating Case

Maximum Repetitive Surge Current



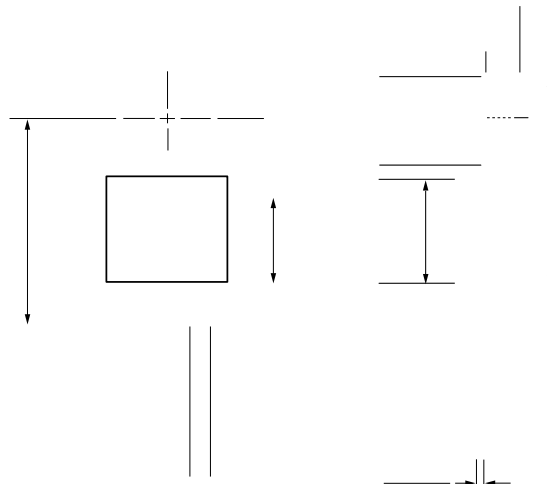
Typical Reverse Current

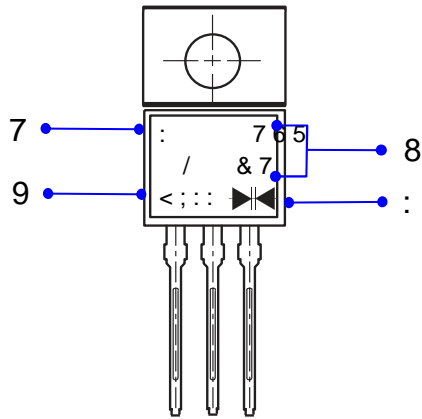
Typical Forward Voltage



Typical Junction Capacitance

PACKAGE OUTLINE DIMENSIONS



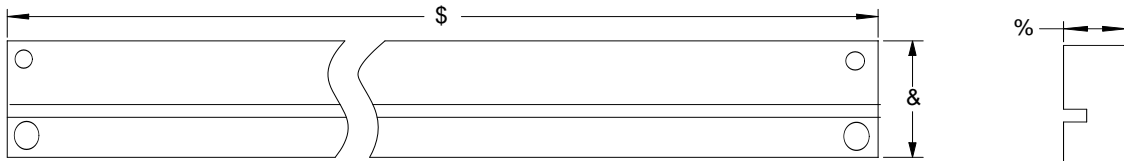


3URGXFW PRGSHD &7RU 765 &7)
93' & LQIRU EDWLRQ
< ; ::

:: :HHN FRGH WR
; ,QWHUQDO LGRQWLILFDWLRQ
< <HDU FRGH H[

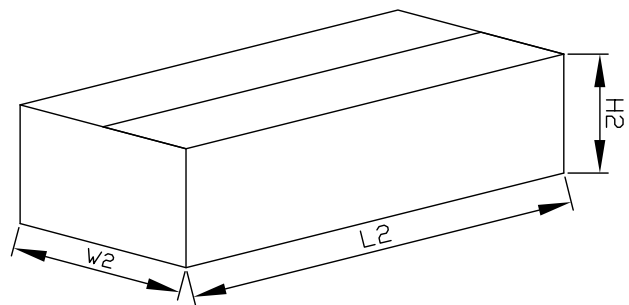
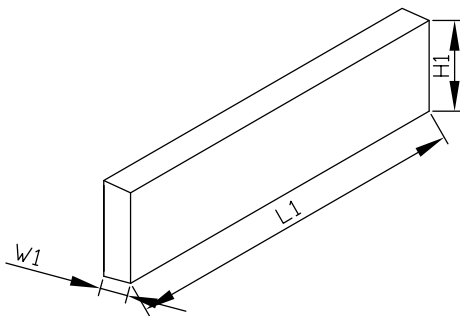
: <<'RXEOH ZDIHU

7XEH 'LPHQVLRQV



,QVLGH %R[

2XWVLGH %R[



3DFNDJLQJ ,QIRUPDWLRQ

12	81,	7XEH 'LPHQVLRQV			,QVLGH %R[2XWVLGH %R[
6H	PP	\$	%	&	/	:	+	/	:	+
47<	3&6	3&6 7XEH			6PDO SHFWDJH3&6 WXEWRWDO			3&6 FDUERGLWRWDO		
1RWH	7ROHUDQFPP"PP			PP"PP			PP"PP			