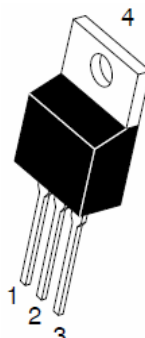


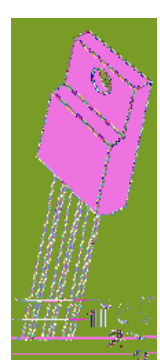
7 UHQFK 026 %DUULHU 6FKRWWN\ 5H

TO-220AB
TSR_{10s150} & 7S



1 2 3 4

ITO-220AB
TSR_{10s150} & 7)-S




Features

- ‡ \$GYDQWUHQFK WHFKQRORJ\
- ‡ /RZRZURGRWDJH GURS
- ‡ /RZRZURGRVHV
- ‡ +LJKILFLHQF\ RSHUDWLRO
- ‡ /HDGH)HLQLVK &RPSOLDQW

Applications

- ‡ '&' & RQYHUWHUV
- ‡ \$&' & GDSWRUV
- ‡ 6ZLWFKRZHXSSOLHV
- ‡)UHHZKHHLRGRJ

3, 1  4-2
4-2

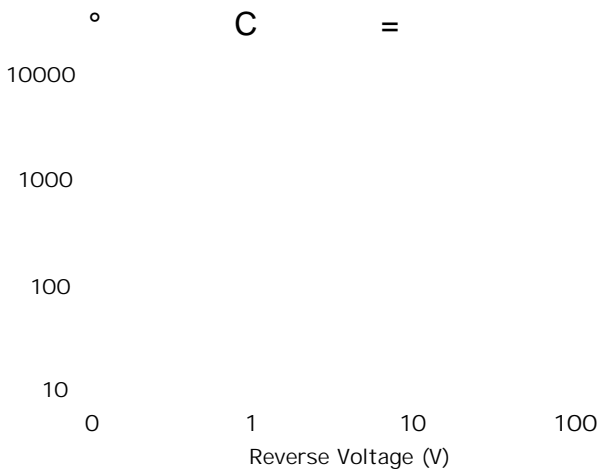
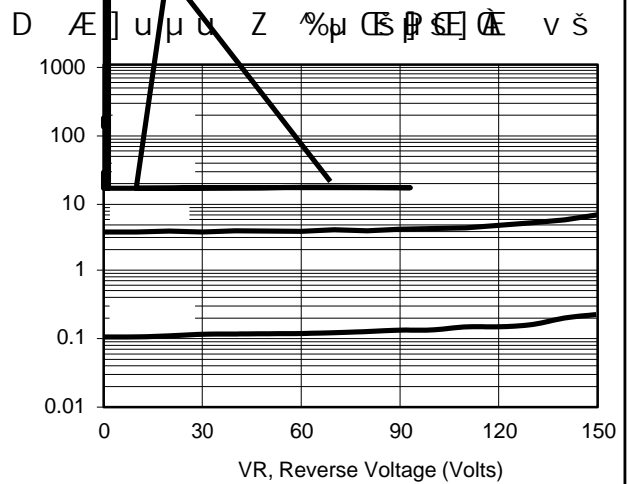
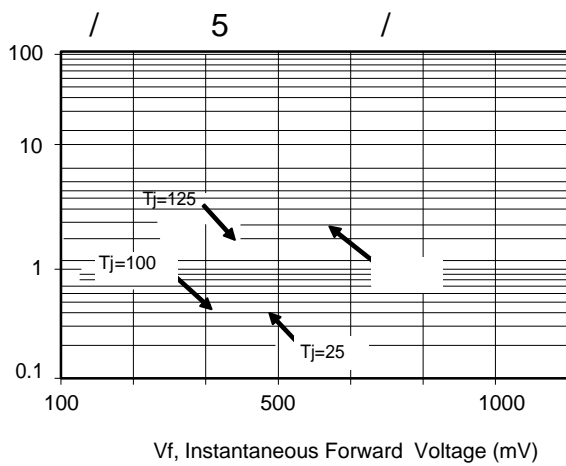
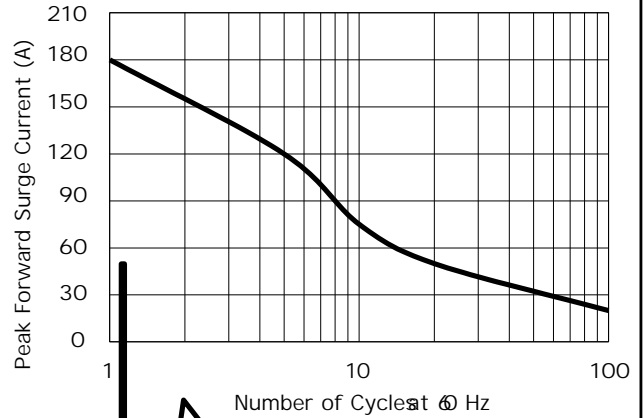
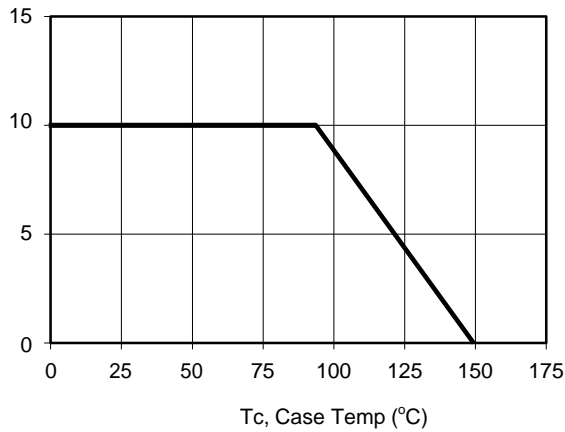
Maximum ratings and electrical characteristics (T_J = 25°C unless otherwise noted)

3DUDPHWHU	6\PERO	/LPLW	8QLW
0D[LXPXPHSHVSHUNYHYURQHW DJH	9550		9
0D[LXPXPHSHVSHUNYHYURQHW DJH			\$
3HDNIRVZDUEBUHQW VLQDQH ZDYH VXSHULPSRVHGRSODRCHG	,)60		\$
2SHUDMXQDQGRWRUDJH WHPSHUDW	XUH 0DQJH	WR	f&
7\SLFVCHUPDO USHVUVVHQFH	72 \$% ,72 \$%		f& : f& :
,QVWDQWDQHRXUWWRUJZDUG SHGLRGH	9)	7 < 3	0\$;
			9
,QVWDQWDQHRXUWWRUJZDUG UDWHYHYURQHW DJH	,5		X\$
			P\$

1RWHV
3XOVH WHVVSXOVH ZLGWK GXW\F\FOH
3XOVH WHVW 3XOPH ZLGWK 0

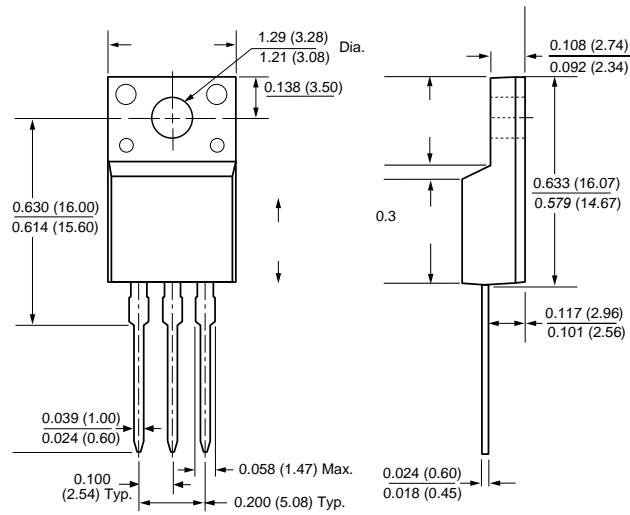
RATINGS AND CHARACTERISTICS CURVES

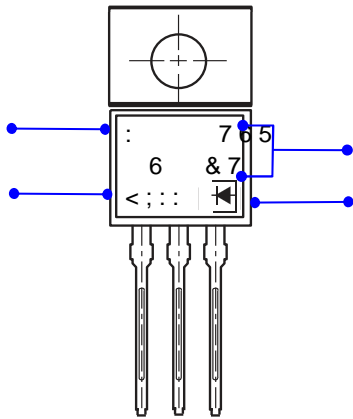
f & X Q O H V Q R W K B U Z L V H



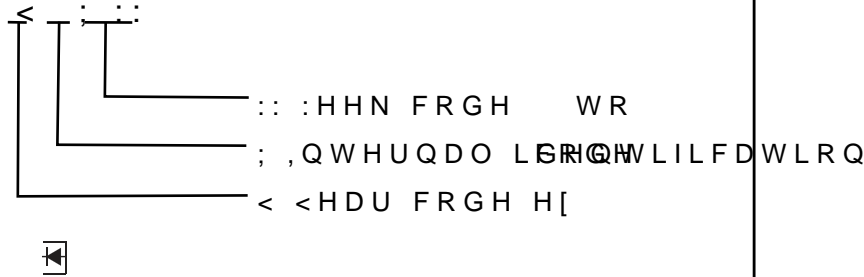
d Ç %] o : μ v š] } v %] š v

PACKAGE OUTLINE DIMENSIONS

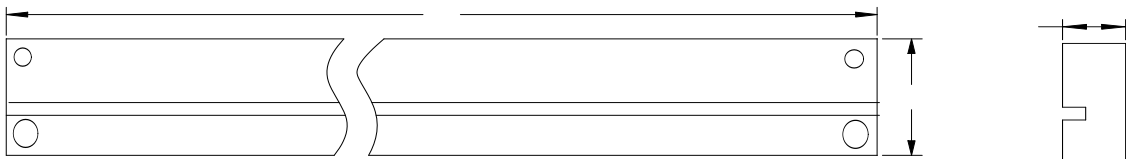




3URGXFW 765GH60 &7 RU 765 &7)
3' & LQIRUPDWLRQ

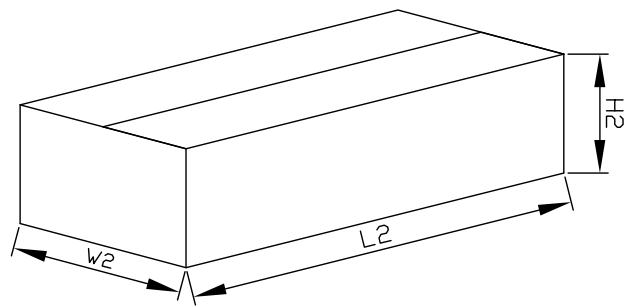
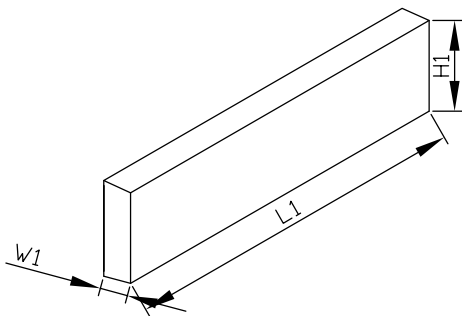


7XEH 'LPHQVLRQV



,QVLGH %R[

2XWVLGH %R[



3DFNDJLQJ ,QIRUPDWLRQ

12	81,	7XEH 'LPHQVLRQV			,QVLGH %R[2XWVLGH %R[
6L]H	PP	\$	%	&	/	:	+	/	:	+
47<	3&6	3&6 7XEH			6PDO SHFWDJH3&6 WXEWRWDO			3&6 FDUERGLWRWDO		
1RWH	7ROHUDQFH PP" PP			PP" PP			PP" PP			