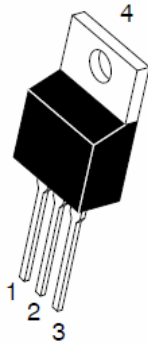


TSR40A 00CT

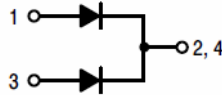
TSR40A10 CTF

7 UHQFK 026 %DUULHULB BKRWVN\ 5H

TO-220AB
TSR40A100CT



ITO-220AB
TSR40A100CTF



Features

- ‡ \$GYDQWUHQFK WHFKQRORJ\
- ‡ /RZRZUZYRQWDJH GURS
- ‡ /RZRZUZYRQVHV
- ‡ +LJKILFLHQF\ RSHUDWLRO
- ‡ /HDGH)HLQLVK &R#6OLDQW

Applications

- ‡ '&' &RQYHUWHUV
- ‡ \$&'&GDSWRUV
- ‡ 6ZLWFKRQJSSOLHV
- ‡)UHHZKH'HLRQJ

Maximum ratings and electrical characteristics (T_J = 25°C unless otherwise noted)

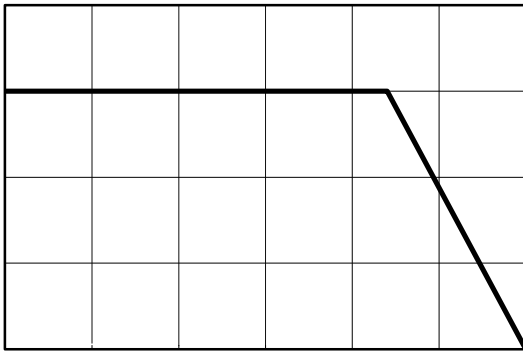
3DUDPHWHU		6\PERO	/LPLW	8QLW
0D[LPXPHSHVSHUNYHYURQHW DJH		9550		9
0D[LPXPHYUDRQJZDUG UFXEWHIHWG	GHYLFH SHGLRGH	,) \$9		\$
3HDN IRVZDUEBUUHQW VLQDQH ZDYH VXSHULPSRVHGRFSCGLRVGHG		,)60		\$
2SHUDMXQDQGRQWRUDJH WHPSHUDW	XOH 060JH	WR		f&
7\SLFVQCHUPDO USHVULVQHDQFH	72 \$% ,72 \$%	5\$-&		f& : f& :
,QVWDQWDQHRROWRUJZDUG SHGLRGH		9)	7<3	0\$;
	,) \$		7-	f&
	,) \$		7-	f&
	,) \$		7-	f&
,QVWDQWDQHRXUUSHQWRCWH UDWHYHYURQHW DJH	7-	,5		X\$
	7-		f&	P\$

1RWHV

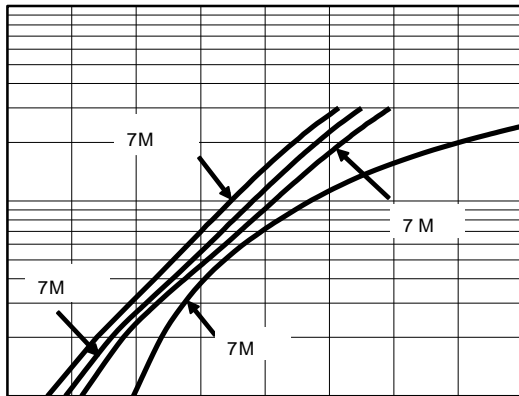
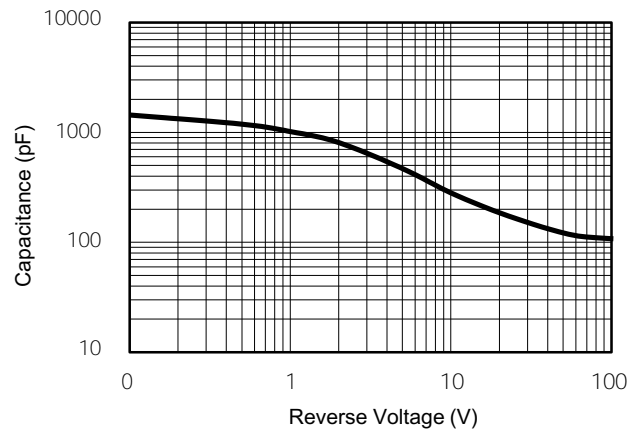
3XOVH WHVVSXOVH ZLGWK GXW\F\FOH

3XOVH WHVW 3XOPVH ZLGWK 0

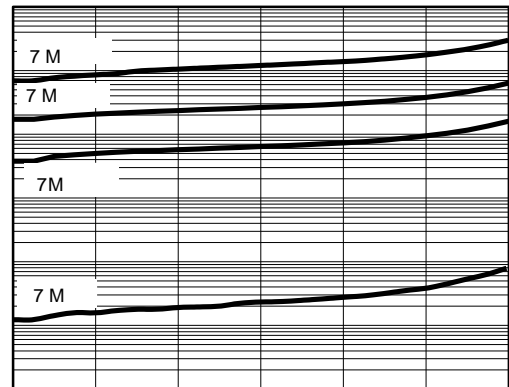
RATINGS AND CHARACTERISTICS CURVES (TA = 25 °C unless otherwise noted)



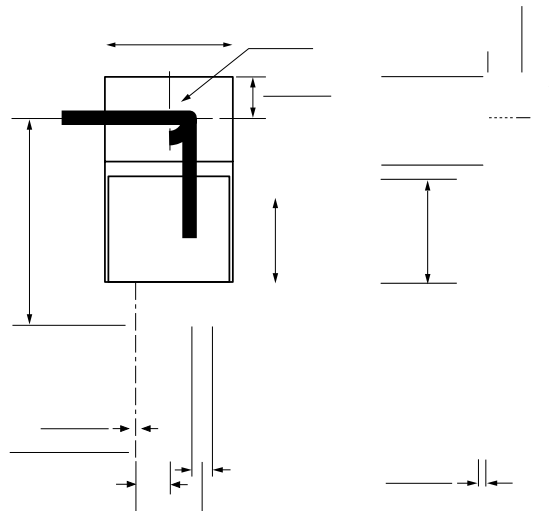
7 F & DVH 7&HPS



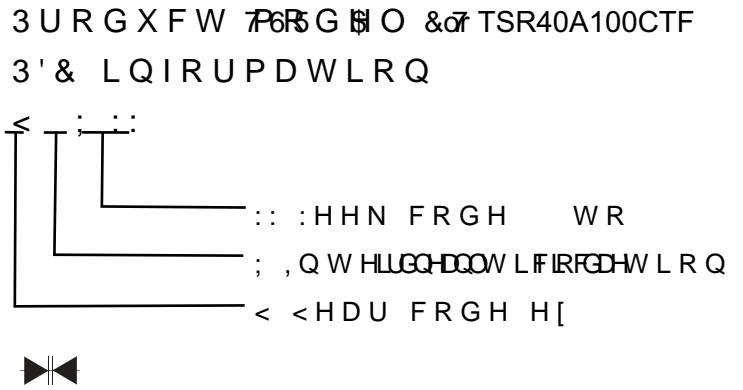
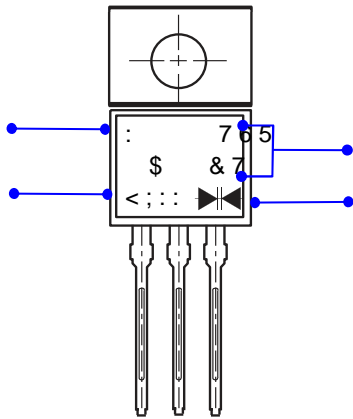
9I ,QVWDQWDQHRXV)RUZDUG 9ROWDJH P995 5HYHUVH 9ROWDJH 9ROWV



PACKAGE OUTLINE DIMENSIONS 82.89(47.82.81(4708

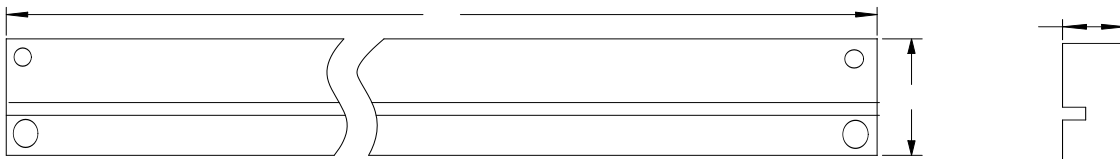


Marking Information



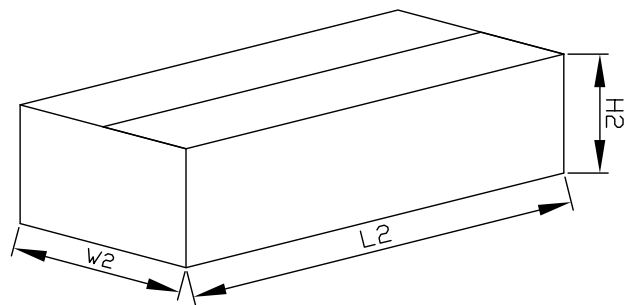
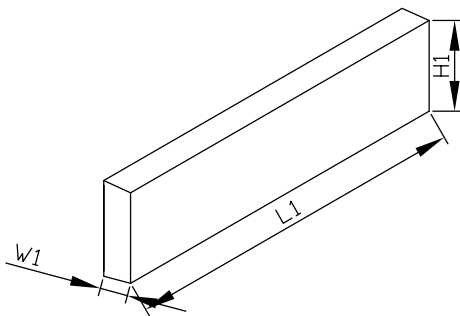
Packaging Information

7 X E H ' L P H Q V L R Q V



, Q V L G H % R [

2 X W V L G H % R [



Packaging Information

1 2	8 1 ,	7 X E H ' L P H Q V L R			, Q V L G H [2 X W V L G H		
6 L] H	PP	\$	%	&	/	:	+	/	:	+
4 7 <	3 & 6	3 & 6 7 X E H			6 P D O C S H V W D J H 3 & 6 W X E H W R W D O			3 & 6 F D U E R G L W R W D O		
1 R W H	7 R O H H D Q F P P " P P				P P " P P			P P " P P		