

7UHQFK 026 %DUULHU 6FKRWWN\ 5H

763 6 %

60%



&DWKRGH ← \$QRGH

)HDWXUHV

‡ \$GYDQWUHQFK WHFKQRORJ\
‡ /RZRUZVROWDJH GURS
‡ /RZRZURVVHV
‡ +LJHILFLHQF\ RSHUDWLRQ
‡ /HDGHLQLVK &RPSOLDQW

\$SSOLFDFWLRQV

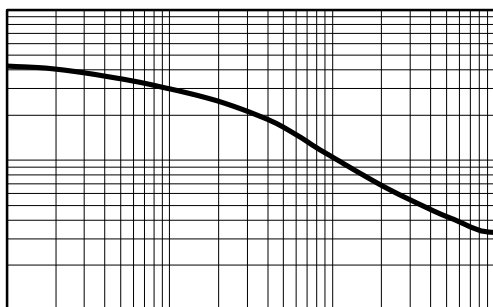
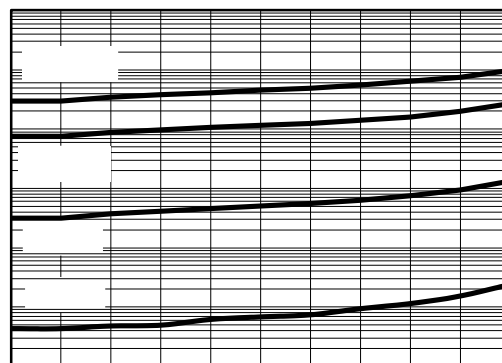
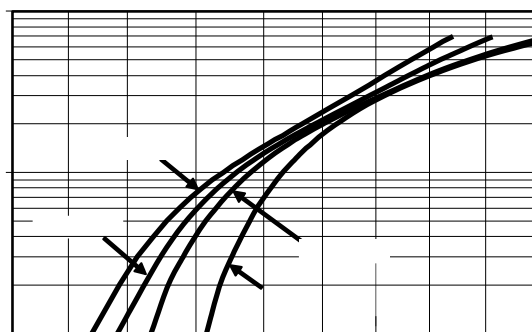
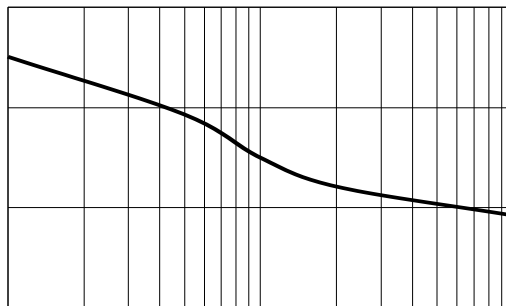
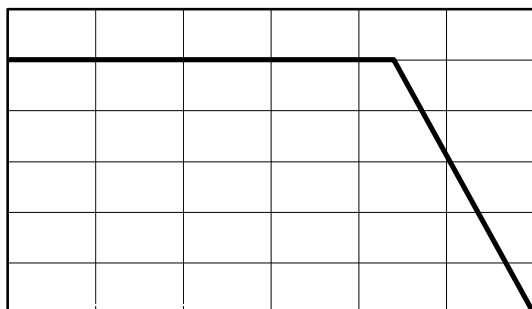
‡ '& '& RQYHUWHUV
‡ \$\$ '& \$GDSWRUV
‡ 6ZLWFKRZHS SOLHV
‡)UHHZKHHLRGLJ

0D[LPXP UDWLQJV DQG HOHFWULFDJ& FXODDWHVHUQRWHV

3DUDPHWHU		6\PERO	/LPLW	8QLW
0D[LPXP SHSHVHUNYHYURQWDJH		9550		9
0D[LPXPYHURJHZDUG UFXEWHIQWG		,) \$9		\$
3HDN IRVZDUEBUHQW VLKDDHQZDYH VXSHULP&NDVHRS&GLRGH		,) 60	0	\$
2SHUDMXQDQGRWRUDJH WDESHUDW		X0H767*	WR	f&
7\SLFDO WKHUPDO UHVLVWDQFH SHU		G5R&H	ORXQWHG RQ)5	3&f% :
,QVWDQWDQHRROWRUJZDUG SHGLRGH	,) \$	7- f&	7<3	0\$;
	,) \$	7- f&		
	,) \$	7- f&		
	,) \$	7- f&		
,QVWDQWDQHRXUUSHOMRQWH UDWHYHYURQWDJH	7- f&	,5		X\$
	7- f&			P\$

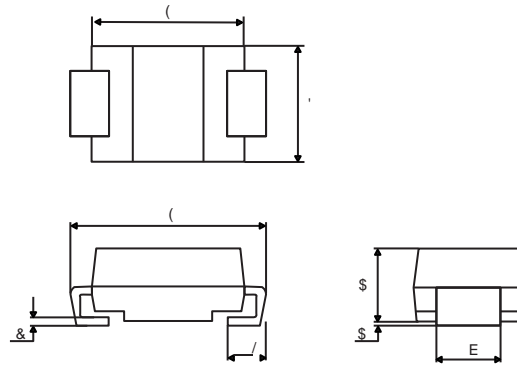
1RWHV
3XOVH WHVVSXOVH ZLGWK GXW\ F\FOH
3XOVH WHVW 3XOPH ZLGWK 0

5\$7,1*6 \$1' &+\$5\$&7(5,67,&6 &7859(6f& XQOHVQRWKBZLVH



3\$&.\$*(287/,1(',0(16,216

60% GLPHQVLRQ GHILQLWLRQV



60% GLPHQVLRQ YDOXH V

5HI	'LPHQVLRQV			
	0LOOLPHWHUV		,QFKHV	
	0LQ	0D[0LQ	0D[
\$				
\$				
E				
F				
'				
(
(
/				