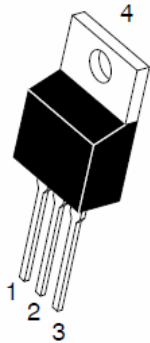
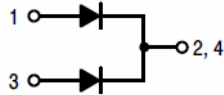


7 UHQFK 026 %DUULHU 6FKRWWN\ 5H

TO-220AB
TSR40L1 OCT



ITO-220AB
TSR40L1 OCTF



Features

- ‡ \$GYDQWUHQFK WHFKQRORJ\
- ‡ /RZRZDWRGWDJH GURS
- ‡ /RZRZDWRVHV
- ‡ +LJKILFLHQF\ RSHUDWLRO
- ‡ /HDGH)HLQLVK &R#6OLDQW

Applications

- ‡ '&' & RQYHUWHUV
- ‡ \$&' & \$GDSWRUV
- ‡ 6ZLWFKRZDIXSSOLHV
- ‡)UHHZKH'HLRQJ

Maximum ratings and electrical characteristics (T_J = 25°C unless otherwise noted)

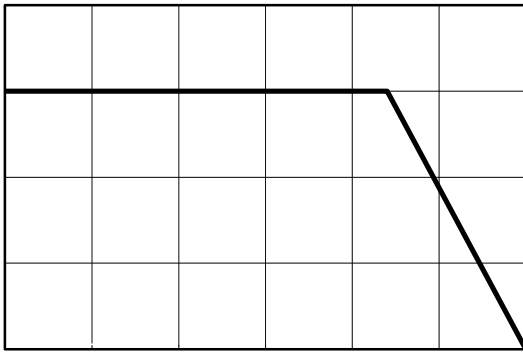
3DUDPHWHU		6\PERO	/LPLW	8QLW
0D[LPXPHSHVSHUNYHYURQHW DJH		9550		9
0D[LPXPHYUDRJRZDUG UFXEWHIHWG	GHYLFH SHGLRGH	,) \$9		\$
3HDN IRVZDUEBUHQW VLQDQH ZDYH VXSHULPSRVHGRFSGUDRCHG		,)60		\$
2SHUDMXQDQLRQWRUDJH WHPSHUDW	XUH 0DQJH	WR		f&
7\SLFVCHUPDO USHVULVQHDQFH	72 \$%	5\$-&		f& :
	,72 \$%			f& :
,QVWDQWDQHRRQWRUJZDUG SHGLRGH	,) \$	7- f&	7<3	0\$;
	,) \$	7- f&		
	,) \$	7- f&		
	,) \$	7- f&		
,QVWDQWDQHRXUUSHQWRCWH UDWHYHYURQHW DJH	7- f&	,5		X\$
	7- f&			P\$

1RWHV

3XOVH WHVVSXOVH ZLGWK GXW\F\FOH

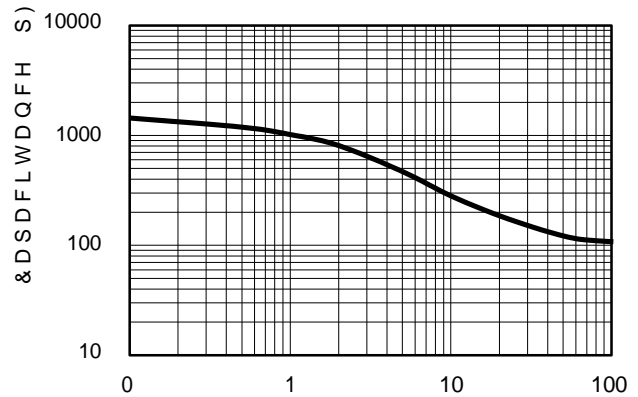
3XOVH WHVW 3XOPWH ZLGWK 0

RATINGS AND CHARACTERISTICS CURVES



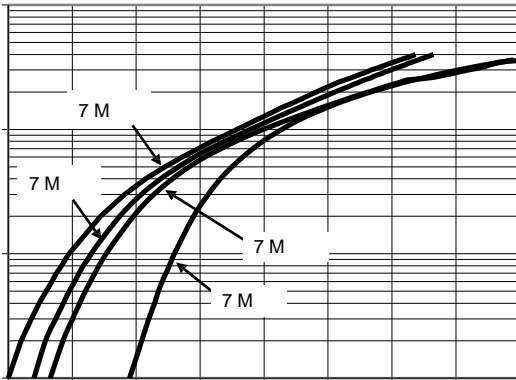
7 F & DVH 7&HPS

Figure1: Current Derating, Case



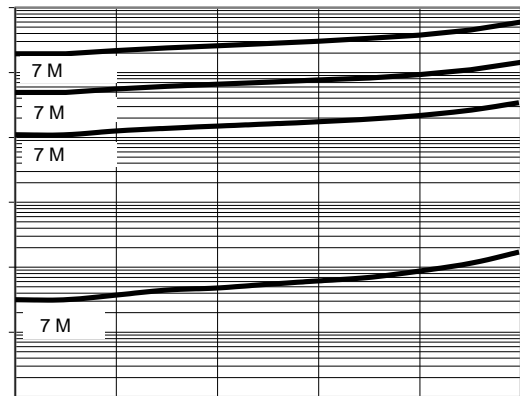
5HYHUVH 9ROWDJH

Figure2: Typical Junction Capacitance



9I ,QVWDQWDQHRXV)RUZDUG 9ROWDJH P9

dÇ%o] o &}œÁ œ s}oš P



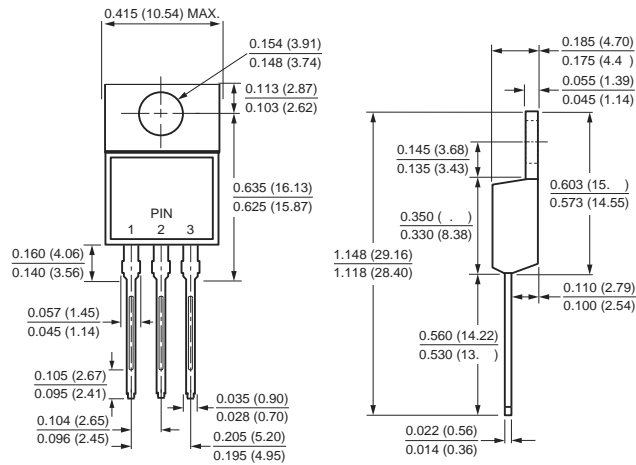
95 5HYHUVH 9ROWDJH 9ROWV

dÇ%o] o ZµÁœ•vš

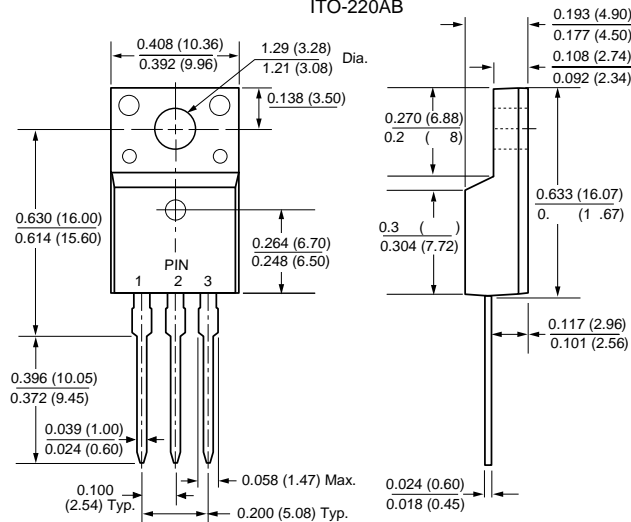
PACKAGE OUTLINE DIMENSIONS

1 R W H X Q L W , Q P P

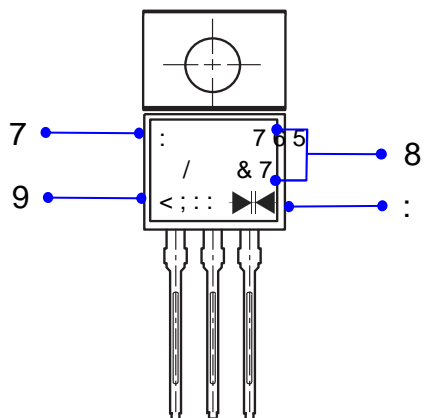
TO-220AB



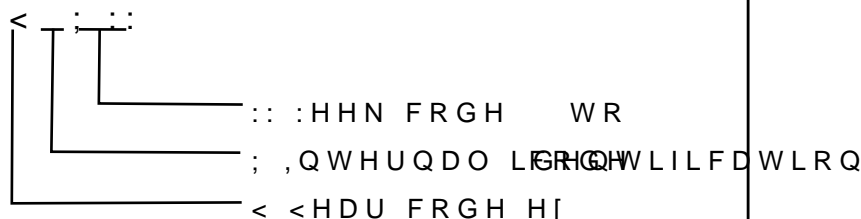
ITO-220AB



0DUNLQJ ,QIRUPDWLRQ



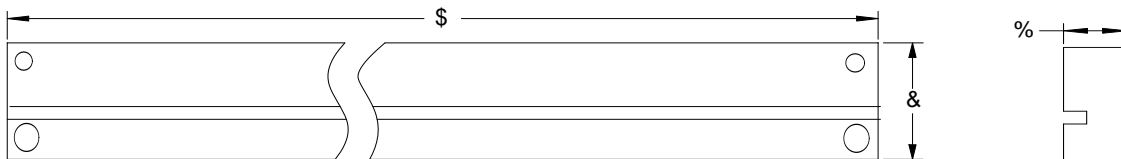
7 : &RPSDQ\ V WUDGHPDUN
 8 3URGXFW 765 / &7))
 9 3' & LQIRUPDWLRQ



: >>> 'RXEOH ZDIHU

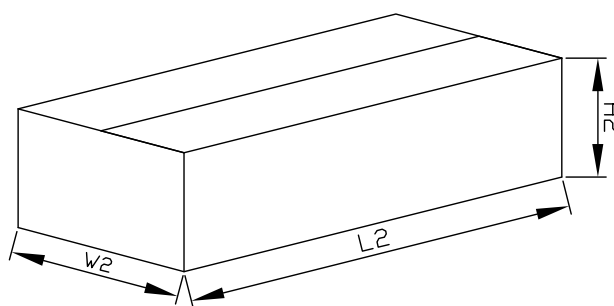
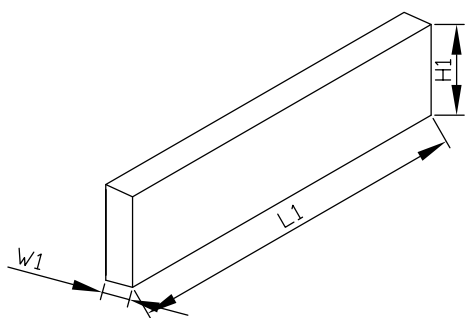
3DFNDJLQJ ,QIRUPDWLRQ

7XEH 'LPHQVLRQV



,QVLGH %R[

2XWVLGH %R[



3DFNDJLQJ ,QIRUPDWLRQ

12	81,	7XEH 'LPHQVLRQ			,QVLGH %R[2XWVLGH %R[
6LH	PP	\$	%	&	/	:	+	/	:	+
47<	3&6	3&6 7XEH			6PDO SHVWDJH3&6 WXEORWDO			3&6 FDUERGLWRWDO		
1RWH	7ROHUDQFHPP"PP		PP"PP		PP"PP					