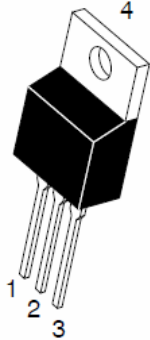
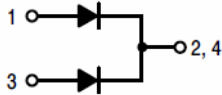
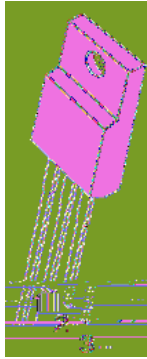


7 UHQFK 026 %DUULHU 6FKRWWN\ 5H

TO-220AB
TSR20L OCT



ITO-220AB
TSR20L OCTF



Features

- ‡ \$GYDQWUHQFK WHFKQRORJ\
- ‡ /RZRZDURGDWDJH GURS
- ‡ /RZRZDURVVHV
- ‡ +LJKILFLHQF\ RSHUDWLRO
- ‡ /HDGH)HLQLVK &R#6OLDQW

Applications

- ‡ '&' & RQYHUWHUV
- ‡ \$&' & \$GDSWRUV
- ‡ 6ZLWFKRZDUXSSOLHV
- ‡)UHHZKH'HLRQJ

Maximum ratings and electrical characteristics (T_J = 25°C unless otherwise noted)

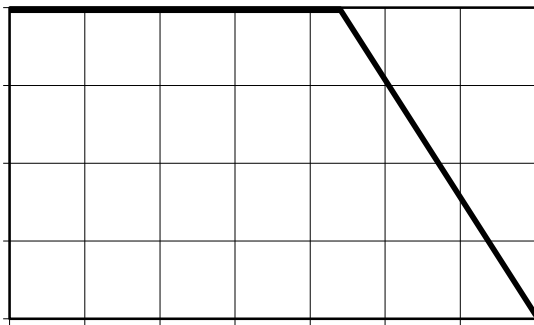
3DUDPHWHU		6\PERO	/LPLW	8QLW
0D[LPXPHSHVSHUNYHYURQHW DJH		9550		9
0D[LPXPHYHURJHZDUG UFKUWHIHWG		GHYLFH ,) \$9		\$
SHGLRGH				
3HDN IRVZDURBUHQW VLQDQH ZDYH		,)60		\$
VXSHULPSRVHGRFSGUDRCHG				
2SHUDMXQDQGRQWRUDJH WHPSHUDW		XUH 0DQJH	WR	f &
7\SLFVCHUPDO USHVULVQHDQFH		72 \$%		f & :
		,72 \$%	5\$-&	f & :
,QVWDQWDQHRROWRUJHZDUG SHGLRGH			7 < 3	0\$;
	,) 3\$	7- f &		
	,) 3\$	7- f &		
	,) \$	7- f &		
	,) \$	7- f &		
,QVWDQWDQHRXUUSHQWIRQW		7- f &		X\$
		7- f &	,5	P\$

1RWHV

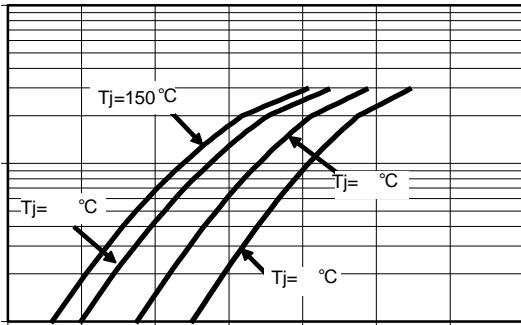
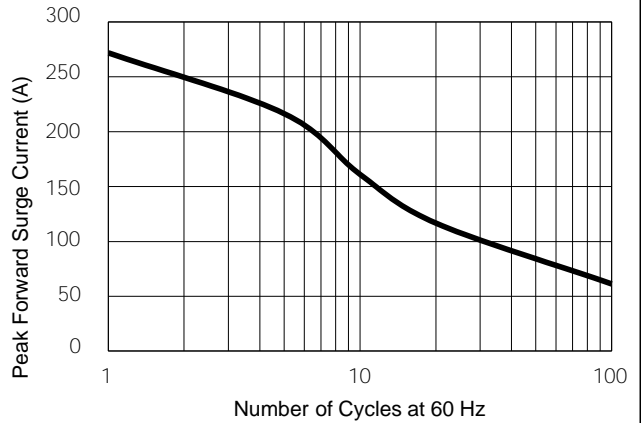
3XOVH WHVWSXOVH ZLGWK GXW\FFOH

3XOVH WHVW 3XOVH ZLGWK 0 PV

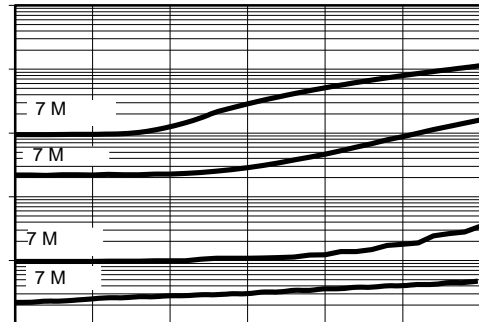
RATINGS AND CHARACTERISTICS CURVES (TA = 25 °C unless otherwise noted)



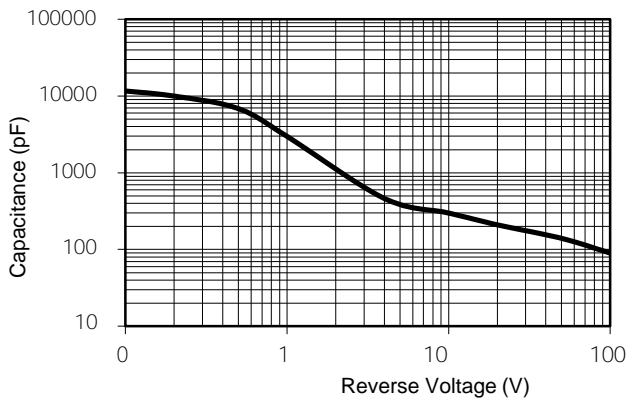
7 F & DVH 7&HPS



9 I , Q V W D Q W D Q H S R O W) B . J H Z D R U G G



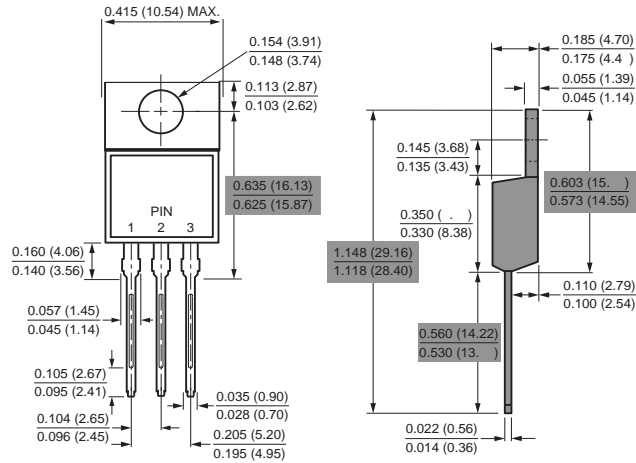
9 5 5 H Y H U V H 9 R O W D J H 9 R O W V



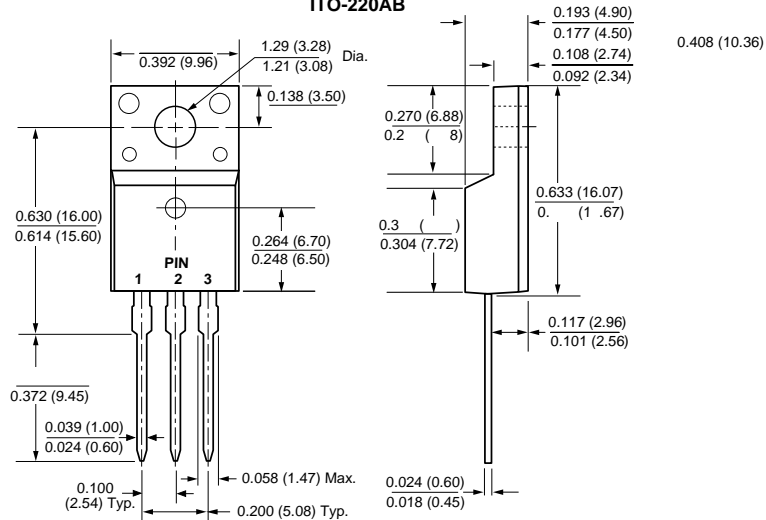
PACKAGE OUTLINE DIMENSIONS

1 R W H X Q L W , Q P P

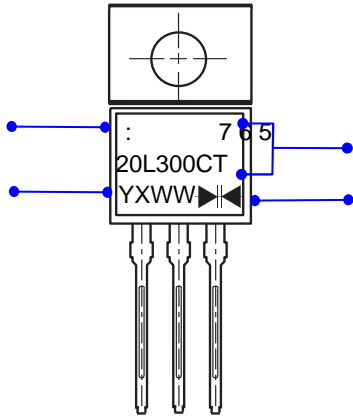
TO-220AB



ITO-220AB



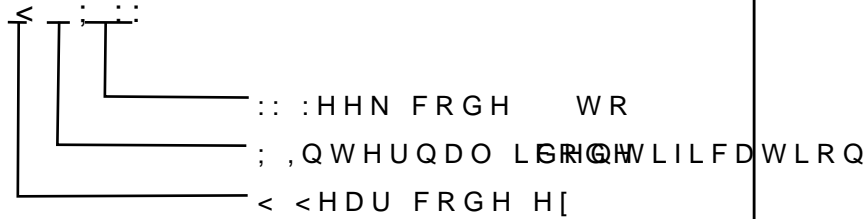
Marking Information



W : Company's trademark

3 U R G X F W T B R 2 0 L 3 0 0 C T or TSR20L300CTF

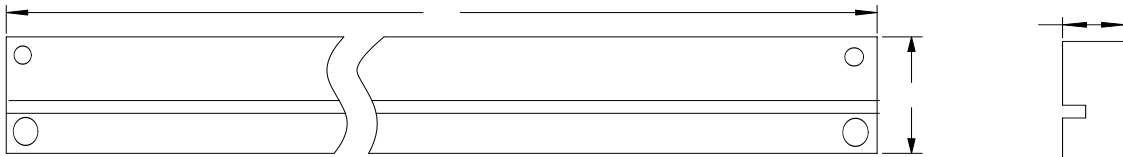
3 ' & L Q I R U P D W L R Q



Double wafer

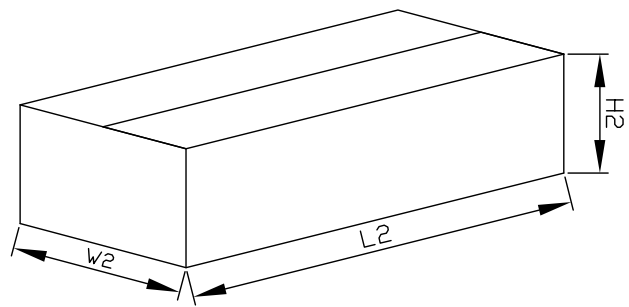
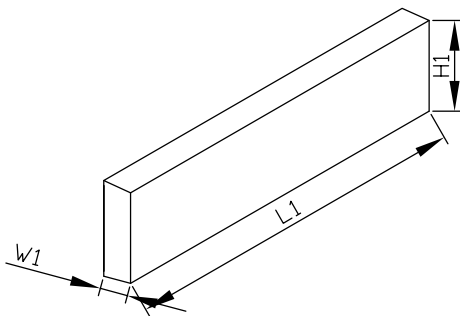
Packaging Information

7 X E H ' L P H Q V L R Q V



, Q V L G H % R [

2 X W V L G H % R [



Packaging Information

1 2	8 1 ,	7 X E H ' L P H Q V L R			, Q V L G H [2 X W V L G H % R [
6 L] H	PP	\$	%	&	/	:	+	/	:	+
		5	7	33	570	46	150	59	26	18
4 7 <	3 & 6	3 & 6 7 X E H			6 P D O S H V W D J H 3 & 6 2 W X E R W R W D O			3 & 6 F D U E R R G L W R W D O		
1 R W H		7 R O H U D Q F H P " P P			P P " P P			P P " P P		