

Trench MOS Barrier Schottky Rectifier

Features

- Advanced trench technology
- Low forward voltage drop
- Low power losses
- High efficiency operation
- Lead Free Finish, RoHS Compliant

Applications

- DC/DC Converters
- AC/DC Adaptors
- Switching Power Supplies
- Freewheeling Diodes

Maximum ratings and electrical characteristics (T_J = 25°C unless otherwise noted)

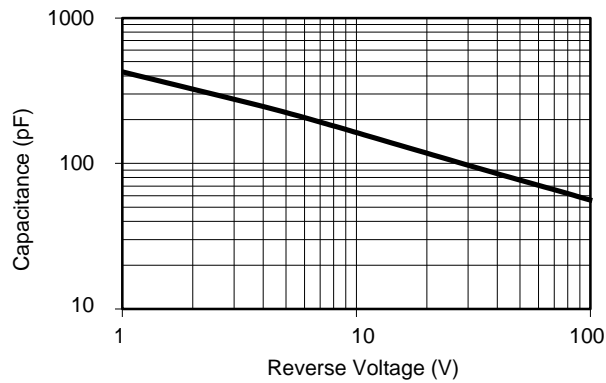
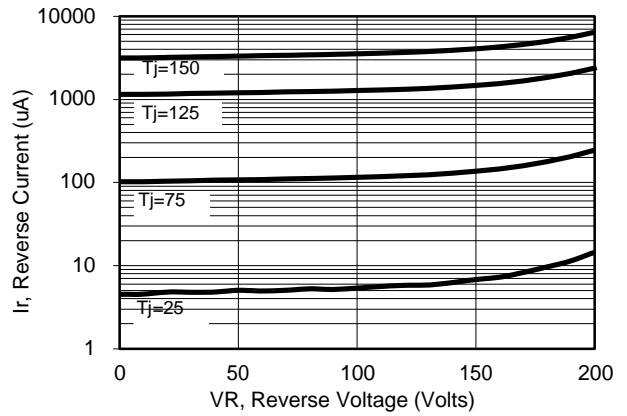
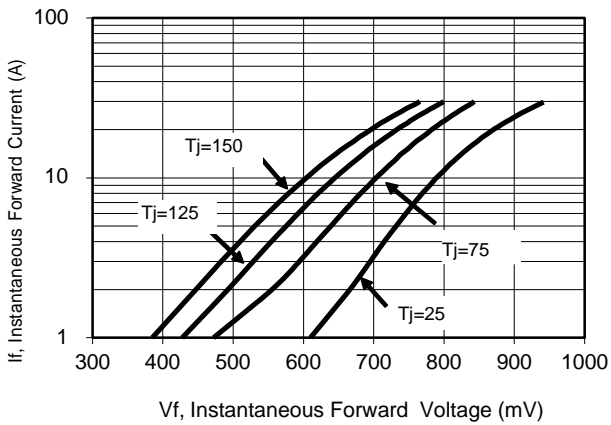
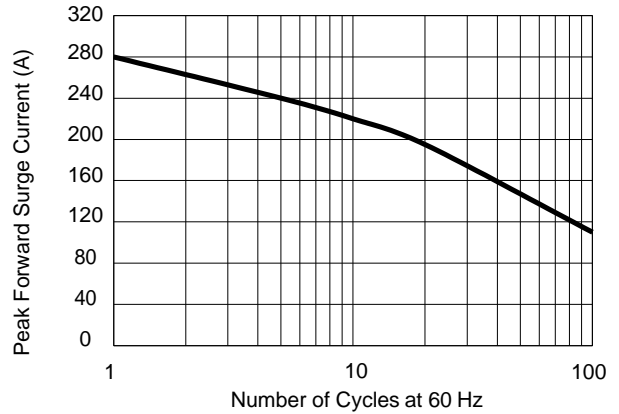
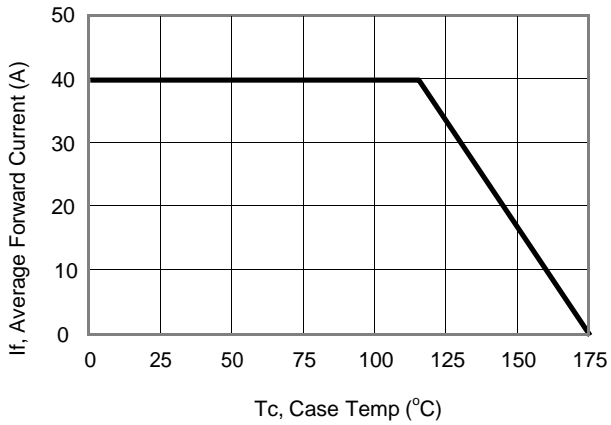
Parameter		Symbol	Limit		Unit
Maximum repetitive peak reverse voltage		VRRM	300		V
Maximum average forward rectified current	device	IF(AV)	0		A
	per diode				
Peak forward surge current 8.3 ms single half sine- wave superimposed on rated load per diode		IFSM	280		A
Operating junction and storage temperature range		TJ, TSTG	-50 to +175		
Typical thermal resistance per leg	TO-247	R _{JC}	2		°C/W
Instantaneous forward voltage per diode			TYP.	MAX.	V
	IF=5A	TJ=25°C	0.73		
	IF=5A		0.6		
	IF= A		0.	0.	
	IF= A	TJ=125°C	0.	-	
Instantaneous reverse current per diode at rated reverse voltage	TJ=25°C		10		uA
	TJ=125°C		1	-	mA

Notes:

(1) Pulse test: 300 μs pulse width, 1 % duty cycle

(2) Pulse test: Pulse width ≅ 40 ms

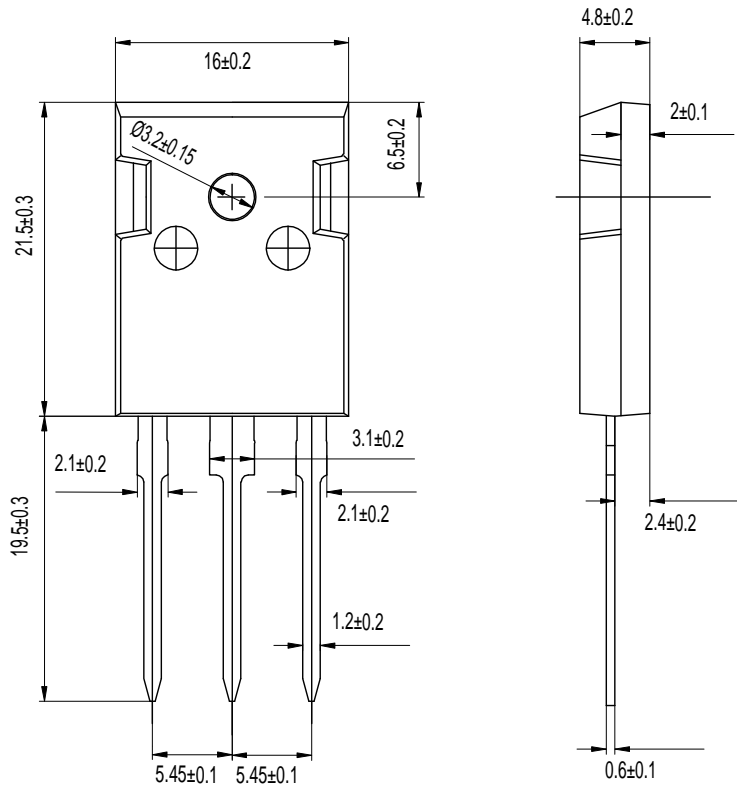
RATINGS AND CHARACTERISTICS CURVES (TA = 25 °C unless otherwise noted)



PACKAGE OUTLINE DIMENSIONS

Note:unit: mm

TO-247



Dimensions in millimeters