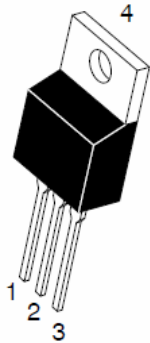


# TSR10L300CT-S

# TSR10L300CTF-S

## Trench MOS Barrier Schottky Rectifier

**TO-220AB**  
**TSR10L300CT-S**



**ITO-220AB**  
**TSR10L300CTF-S**

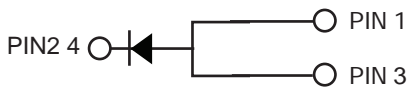


### Features

- Advanced trench technology
- Low forward voltage drop
- Low power losses
- High efficiency operation
- Lead Free Finish, RoHS Compliant

### Applications

- DC/DC Converters
- AC/DC Adaptors
- Switching Power Supplies
- Freewheeling Diodes

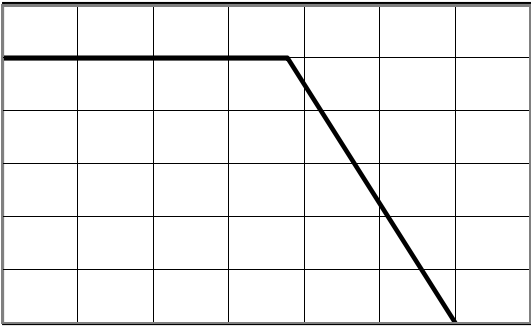


### Maximum ratings and electrical characteristics (T<sub>J</sub> = 25°C unless otherwise noted)

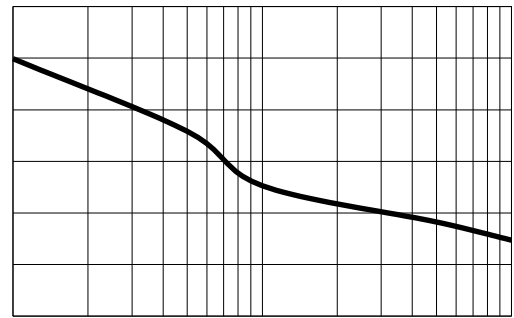
Parameter		Symbol	Limit	Unit
Maximum repetitive peak reverse voltage		VRRM	100	V
Maximum average forward rectified current	device	IF(AV)	10	A
Peak forward surge current 8.3 ms single half sine-wave superimposed on rated load per diode		IFSM	50	A
Operating junction and storage temperature range		T <sub>J</sub> , T <sub>STG</sub>	-5 to +150	°C
Typical thermal resistance (per leg)				
	TO-220AB		2	°C/W
	ITO-220AB		4	°C/W
Instantaneous forward voltage per diode	IF=10A TJ=25°C	VF1	TYP.	0.8
	IF=10A TJ=100°C		MAX.	0.9
	IF=10A TJ=25°C			-
	IF=10A TJ=100°C			-
Instantaneous reverse current per diode at rated reverse voltage	TJ=25°C	IR2		0
	TJ=100°C			-

Notes:

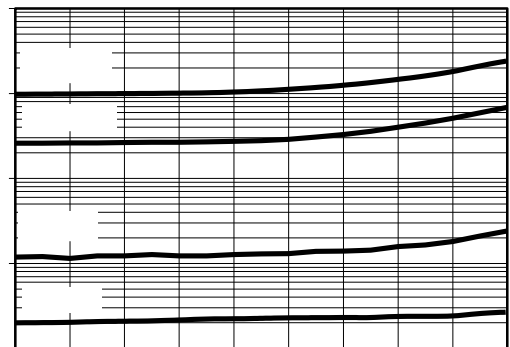
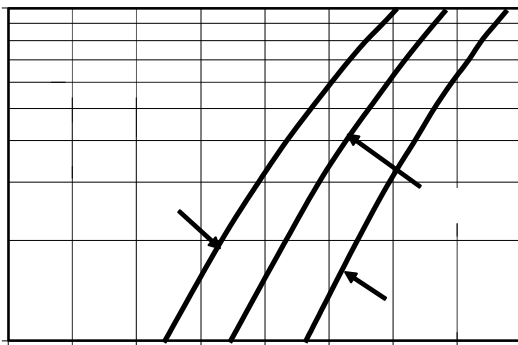
## RATINGS AND CHARACTERISTICS CURVES



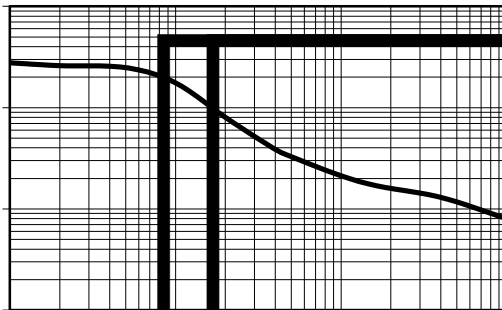
Current Derating, Case



Maximum Repetitive Surge Current



Typical Reverse Current



Typical Junction Capacitance

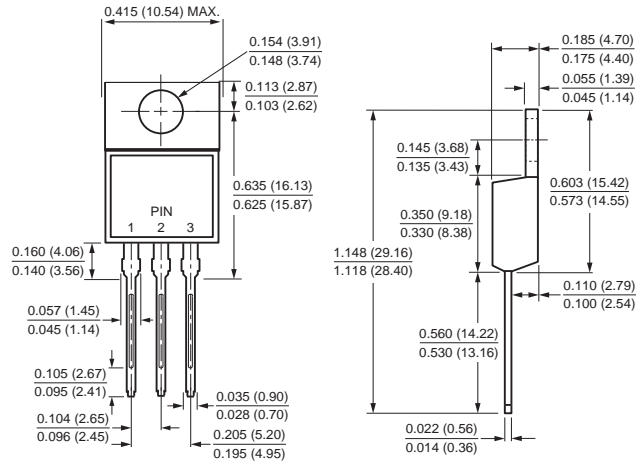
# TSR10L300CT-S

# TSR10L300CTF-S

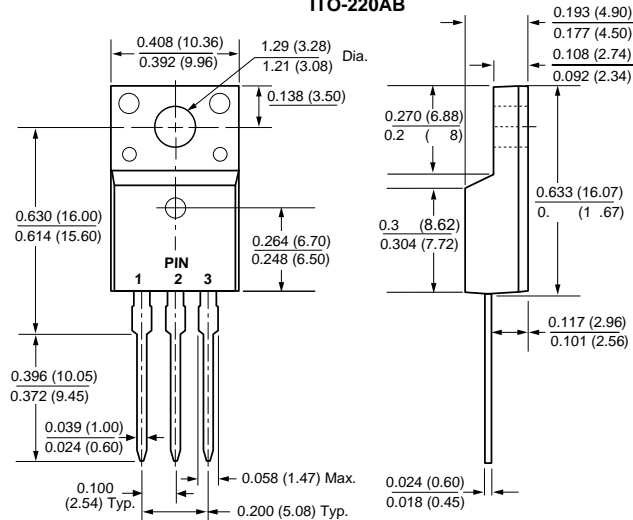
## PACKAGE OUTLINE DIMENSIONS

Note:unit In(mm)

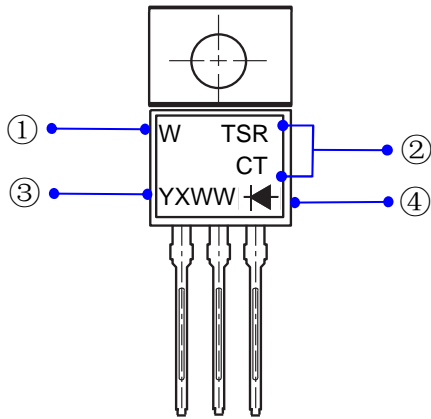
TO-220AB



ITO-220AB



## Marking Information



① W : Company's trademark

② Product model : TSR CT

③ PDC information

Y X WW

WW:Week code(01 to 53)

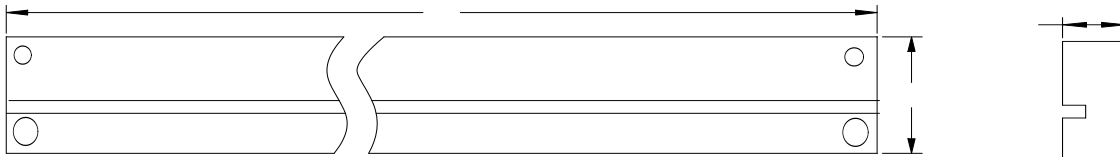
X:Internal identification code

Y:Year code(ex:0=2020)

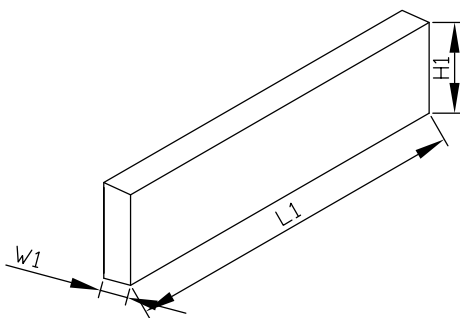
④ ◀ Single wafer

## Packaging Information

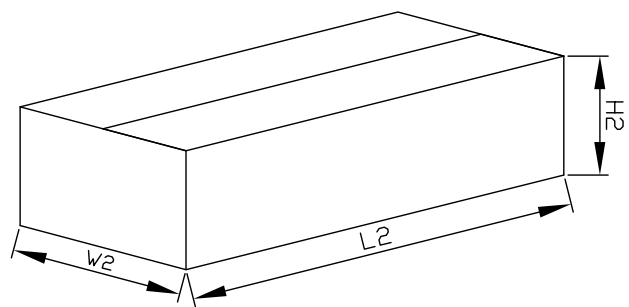
### 1. Tube Dimensions



### 2. Inside Box



### 3. Outside Box



## Packaging Information

NO	UNIT	Tube Dimensions			Inside Box			Outside Box		
		A	B	C	L1	W1	H1	L2	W2	H2
Size	mm	530	7	33	570	46	150	590	260	180
QTY	PCS	50PCS/Tube			Smallest package,1000PCS, 20 tube in total			5,000PCS/carton,5 boxes in total		
Note		Tolerance 20mm,±3mm;			21-100mm,±5mm;			101-500mm,±10mm		